

S Drain 4314065

# Shoppentron

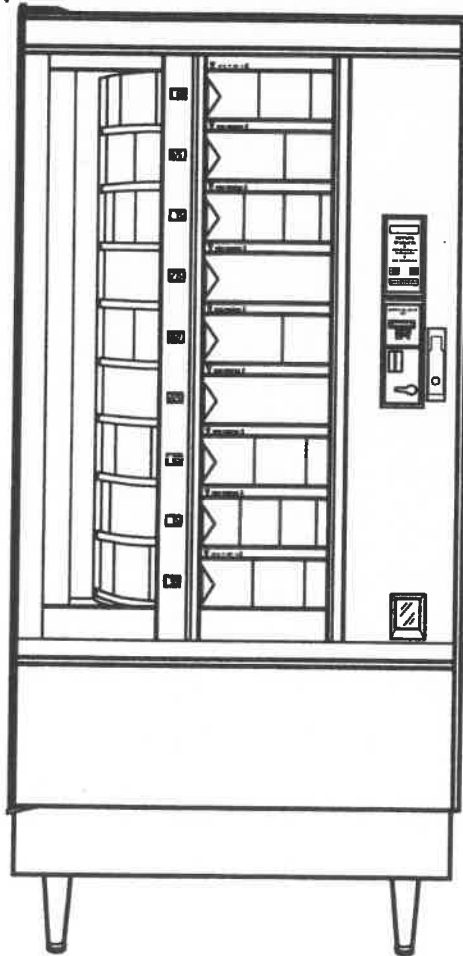
## Parts Manual

Refer

Gray Gasket 4314069  
entire unit

Black Gasket  
later unit smaller  
Hole

S/N Break  
431-023699



Copyright © 8-96



CRANE- National Vendors



## List of Figures

Figure 1. Model 431 Shoppertron .....	1
Figure 2. Common Trim and Panel Components .....	2
Figure 3. Base Plate Assembly .....	10
Figure 4. External Door Assembly .....	12
Figure 5. Internal Door Assembly .....	14
Figure 6. Duct - Blower Assembly .....	20
Figure 7. Lower Door Electrical Assembly .....	22
Figure 8. Light Assembly - Left Side .....	24
Figure 9. Light Assembly - Right Side .....	26
Figure 10. Vend Door and Door Guide Assembly .....	28
Figure 11. Vend Door Mechanism Assembly .....	30
Figure 12. Monetary Door .....	32
Figure 12A. Scavenger Assembly .....	34
Figure 12B. Lift Handle Lock Assembly .....	36
Figure 12C. Monetary Door Electronics Assembly .....	38
Figure 13. Monetary Compartment .....	40
Figure 13A. Monetary Compartment Latch and Plate Assembly .....	42
Figure 14. Upper Hinge Assembly .....	44
Figure 15. Lower Hinge Assembly .....	46
Figure 16. Cabinet Assembly .....	48
Figure 17. Drum Assembly (Part 1 of 2) .....	56
Figure 18. Drive Motor Assembly .....	60
Figure 19. Stop Pin/Solenoid Assembly .....	62
Figure 20. Refrigeration Module .....	64
Figure 21. Power Panel Assembly .....	66
Figure 22. Cabling (Part 1 of 4) .....	68



## List of Parts Tables

Table 2. Common Trim and Panel Components.....	3
Table 2A. Trim Components by Style .....	6
Table 2B. Trim Panel Availability.....	7
Table 3. Base Plate Assembly .....	11
Table 4. External Door Assembly .....	13
Table 5. Internal Door Assembly.....	15
Table 6. Duct - Blower Assembly.....	21
Table 7. Lower Door Electrical Assembly .....	23
Table 8. Light Assembly - Left Side .....	25
Table 9. Light Assembly - Right Side.....	27
Table 10. Vend Door and Door Guide Assembly .....	29
Table 11. Vend Door Mechanism Assembly .....	31
Table 12. Monetary Door .....	33
Table 12A. Scavenger Assembly .....	35
Table 12B. Lift Handle Lock Assembly .....	37
Table 12C. Monetary Door Electronics Assembly .....	39
Table 13. Monetary Compartment .....	41
Table 13a. Monetary Compartment Latch and Plate Assembly .....	43
Table 14. Upper Hinge Assembly .....	45
Table 15. Lower Hinge Assembly .....	47
Table 16. Cabinet Assembly .....	49
Table 17. Drum Assembly .....	57
Table 18. Drive Motor Assembly .....	61
Table 19. Stop Pin/Solenoid Assembly .....	63
Table 20. Refrigeration Module.....	65
Table 21. Power Panel Assembly .....	67
Table 22. Cabling .....	69



# Shoppertron Parts Manual

## THE ILLUSTRATED PARTS BREAKDOWN

This manual contains the parts breakdown for each assembly of the Shoppertron merchandiser. Each illustration shows an exploded view with index numbers. These numbers correspond with the numbers in the parts list table column headed INDEX. The PART NUMBER column lists the part number of each part or assembly. The DESCRIPTION column lists the identifying name of each part or assembly. The QTY column lists the quantity needed of each part or assembly.

### NOTE

Parts peculiar to international machines are not given at this time.

## HOW TO USE THE PARTS LIST

1. Use the List of Figures and/or List of Parts Tables to find the part or assembly you are interested in.
2. Go to that figure, locate the part or assembly, and note its index number.
3. Find the index number in the parts list table, then read across for a complete description.
4. To find every occurrence of a specific part number, use the Part Number Index located at the end of the manual.

## HOW TO ORDER

The National Vendors toll free parts order number is **1-800-621-7278**. To avoid delays and errors in shipping, give the part number, complete description, and quantity required. Also, include the model number and serial number of your merchandiser.



**This page intentionally left blank.**



# Shoppertron Parts Manual

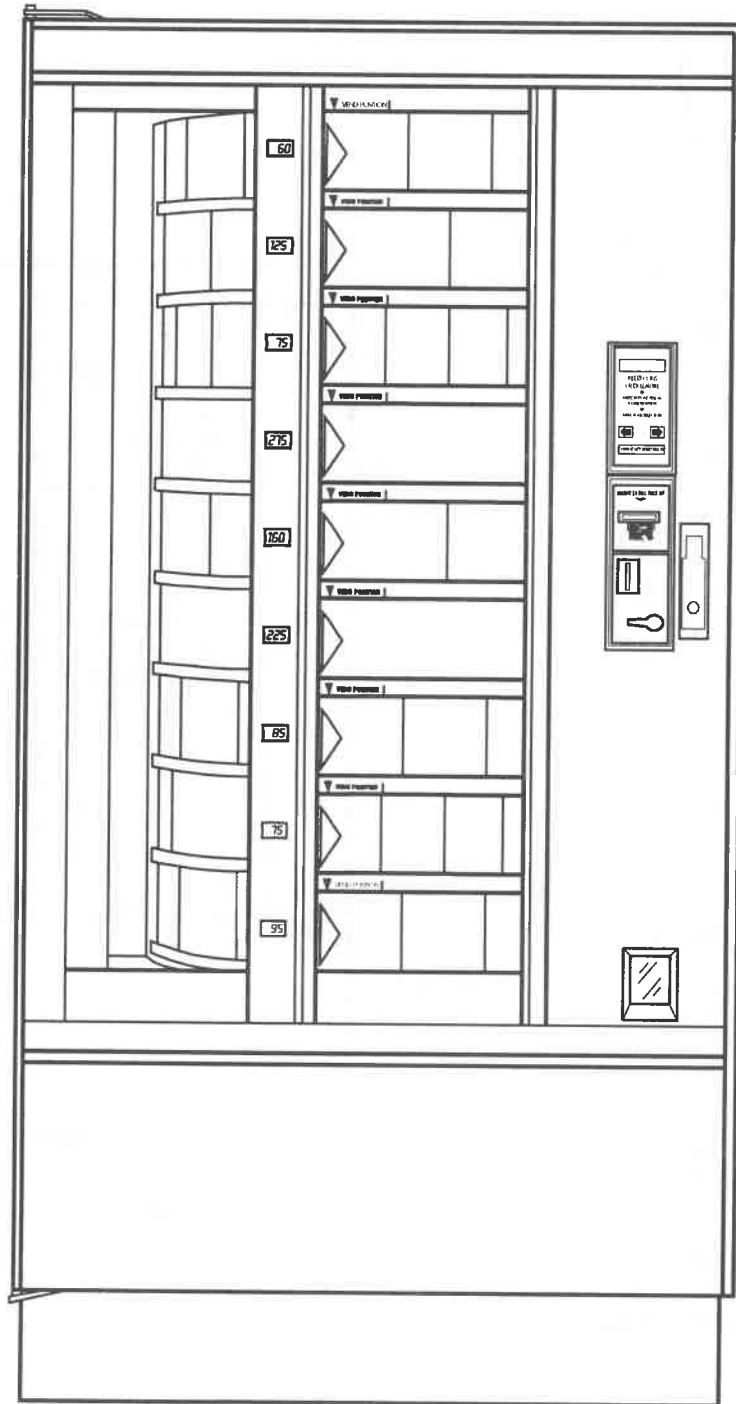


Figure 1. Model 431 Shoppertron

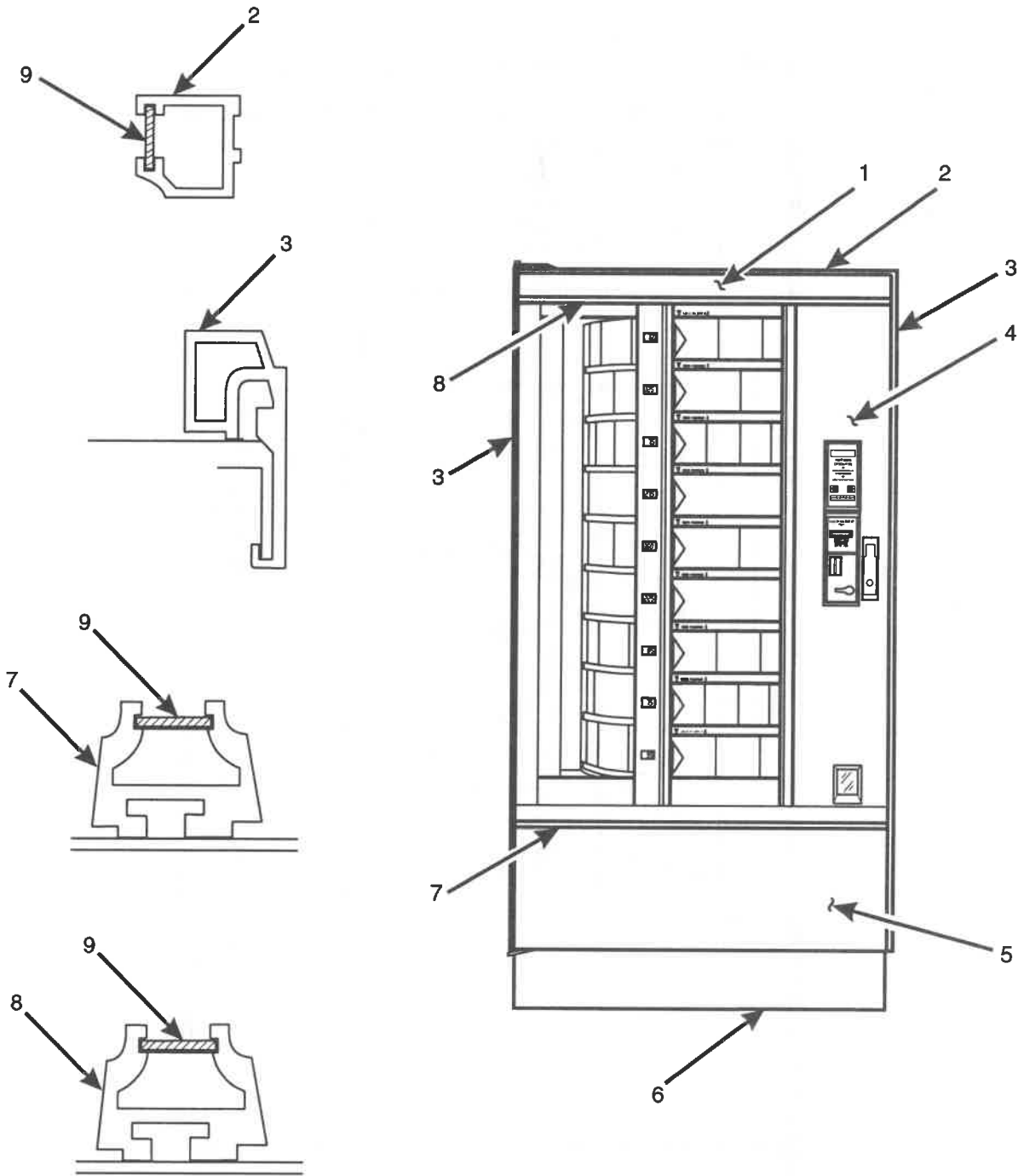


Figure 2. Common Trim and Panel Components (Part 1 of 2)



# Shoppertron Parts Manual

TABLE 2. COMMON TRIM AND PANEL COMPONENTS (PART 1 OF 2)

INDEX	PART NUMBER	DESCRIPTION	QTY
1	**	TOP PANEL	1
2	*	TOP TRIM	1
3	*	SIDE TRIM	2
4	**	MONETARY PANEL	1
5	**	BOTTOM PANEL	1
6	6232099	EDGE PROTECTOR - BOTTOM	1
7	*	HORIZONTAL TRIM (BOTTOM)	1
8	*	HORIZONTAL TRIM (TOP)	1
9	1302479	TRIM INSERT - BLACK	3

- \* SEE TABLES CC-A AND XX-B
- \*\* SEE TABLE CC-C



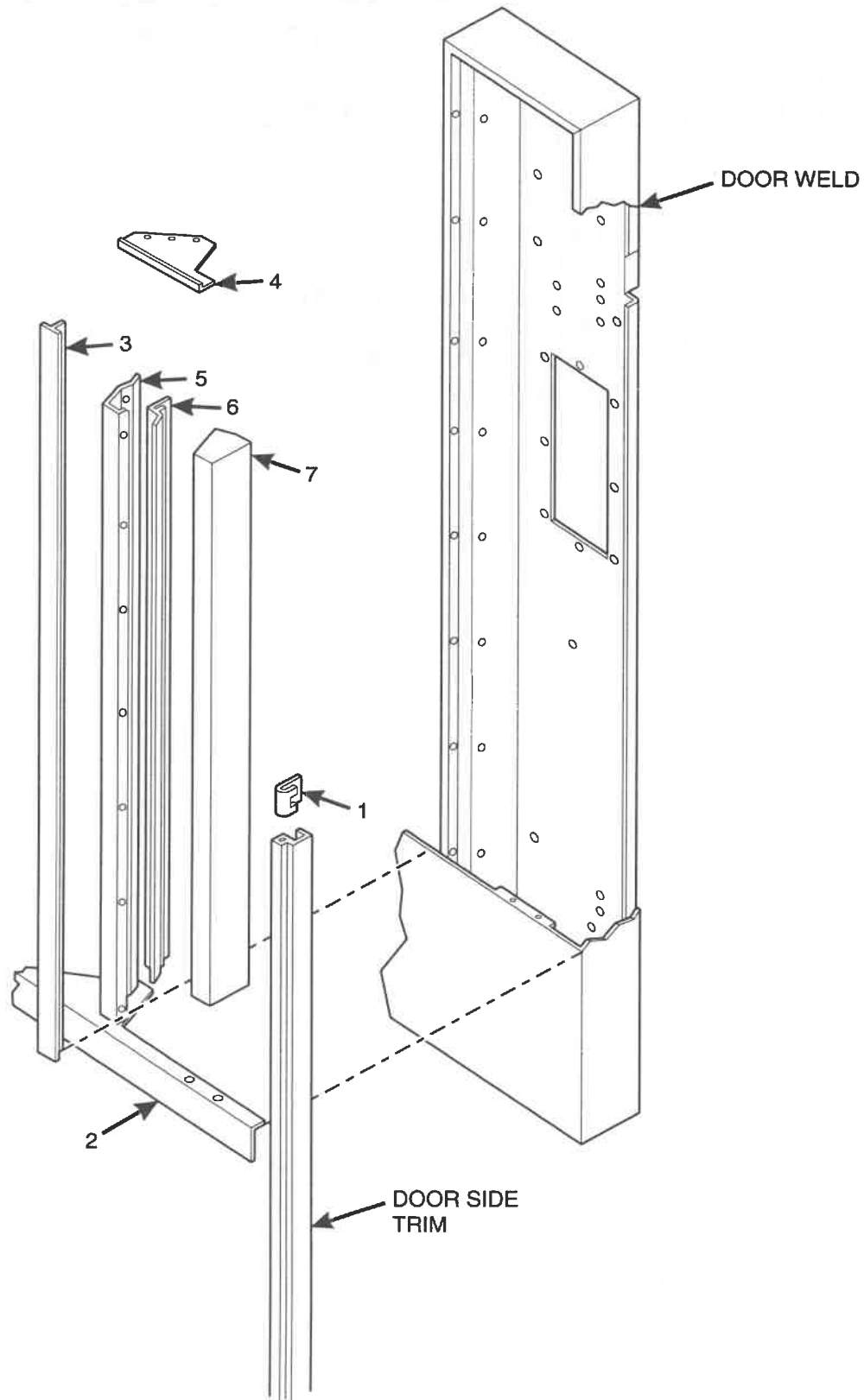


Figure 2. Common Trim and Panel Components (Part 2 of 2)



# Shoppertron Parts Manual

TABLE 2. COMMON TRIM AND PANEL COMPONENTS (PART 2 OF 2)

INDEX	PART NUMBER	DESCRIPTION	QTY
1	4302414	CLIP - DOOR TRIM	14
2	4302120	TRIM - DOOR - BOTTOM	1
3	4302109	TRIM - MONETARY	1
4	4302122	TRIM - DOOR	1
5	4302142	COVER - DUCT	1
6	4302139	BRACKET & SCREEN ASSEMBLY	1
7	4302200	DUCT & CAPS ASSEMBLY	1



TABLE-2A. TRIM COMPONENTS BY STYLE

INDEX	TRIM COMPONENT PART NUMBERS BY STYLE	
	IMPERIAL CROWN	SIGNATURE SERIES
2	4302124	4302115
3	4302274	4302272
6	1302478	1302478
7	4302121	4302121

TABLE -2A. TRIM COMPONENTS BY STYLE (CONTINUED)

INDEX	TRIM COMPONENT PART NUMBERS BY STYLE	
	CAN - CAN	ARA
2	4302124	4302280
		4302281
		4302282
3	4302272	4302274
6	1302478	1302478
7	4302121	4302121



# Shoppertron Parts Manual

TABLE -2B. TRIM PANEL AVAILABILITY

TOP TRIM PANEL (INDEX NUMBER 1)

PART NUMBER	DESCRIPTION
4302373	BISON BLACK
1452225	BLACK HAIRCELL
6232309	BLACK PICA
4302289	BRUSHED STAINLESS
4302285	CHES. LEATHER
4302288	COMP OAK
4302284	DOVE GREY
1452116	ENAMELED
1452117	FORMICA SPECIAL
4302283	KASHMIR WAL
4302287	MAROON
4302415	MOROCCO GREY
1572128	NU WHITE
4302290	PEWTER
4302286	PLATINUM GREY
1452062	PRES WALNUT
6232224	SLATE
1452121	STAINLESS
3152447	STERLING
1452118	TEAK
1452183	VINYL SPECIAL
3152573	WHITE HAIRCELL
4302263	WHITE VINYL



TABLE 2-B. TRIM PANEL AVAILABILITY (CONTINUED)  
 MONETARY TRIM PANEL (INDEX NUMBER 4)

PART NUMBER	DESCRIPTION
4305100	NU WHITE
4305074	VINYL SPECIAL
4305101	WHITE HAIRCELL
4305144	BISON
4305138	BLACK PICA
4305142	GRENADA WHITE
4305010	MOROCCO
4305113	DEBIT READER - NO COIN - STERLING
4305140	DEBIT READER - NO COIN - BLACK PICA
4305145	PEWTER
4305084	MARS READER - WHITE VINYL
4305052	STERLING
4305112	DEBIT READER - WITH COIN - STERLING
4305141	DEBIT READER - WITH COIN - BLACK PICA
4315022	DEBIT READER - WITH COIN - MOROCCO



# Shoppertron Parts Manual

TABLE 2-B. TRIM PANEL AVAILABILITY (CONTINUED)

**BOTTOM TRIM PANEL (INDEX NUMBER 5)**

<b>PART NUMBER</b>	<b>DESCRIPTION</b>
1572104	BISON BLACK
1572107	BLACK PICA
1572110	BLACK HAIRCELL
4312038	BRUSHED STAINLESS
1572113	CHES. LEATHER
1572116	COMP. OAK
1572119	DOVE GREY
1572124	ENAMELED
1572127	FORMICA SPECIAL
4312049	GRENADA WHITE
1572134	KASHMIR WALNUT
1572137	MAROON
4312048	MOROCCO GREY
1572131	NU WHITE
1572142	PEWTER
1572145	PLATINUM GREY
1572150	PRESIDENTIAL WALNUT
1572153	SLATE
4312028	STAINLESS
1572102	STERLING
1572158	TEAK
1572161	VINYL SPECIAL
1572164	WHITE HAIRCELL
4312033	WHITE VINYL

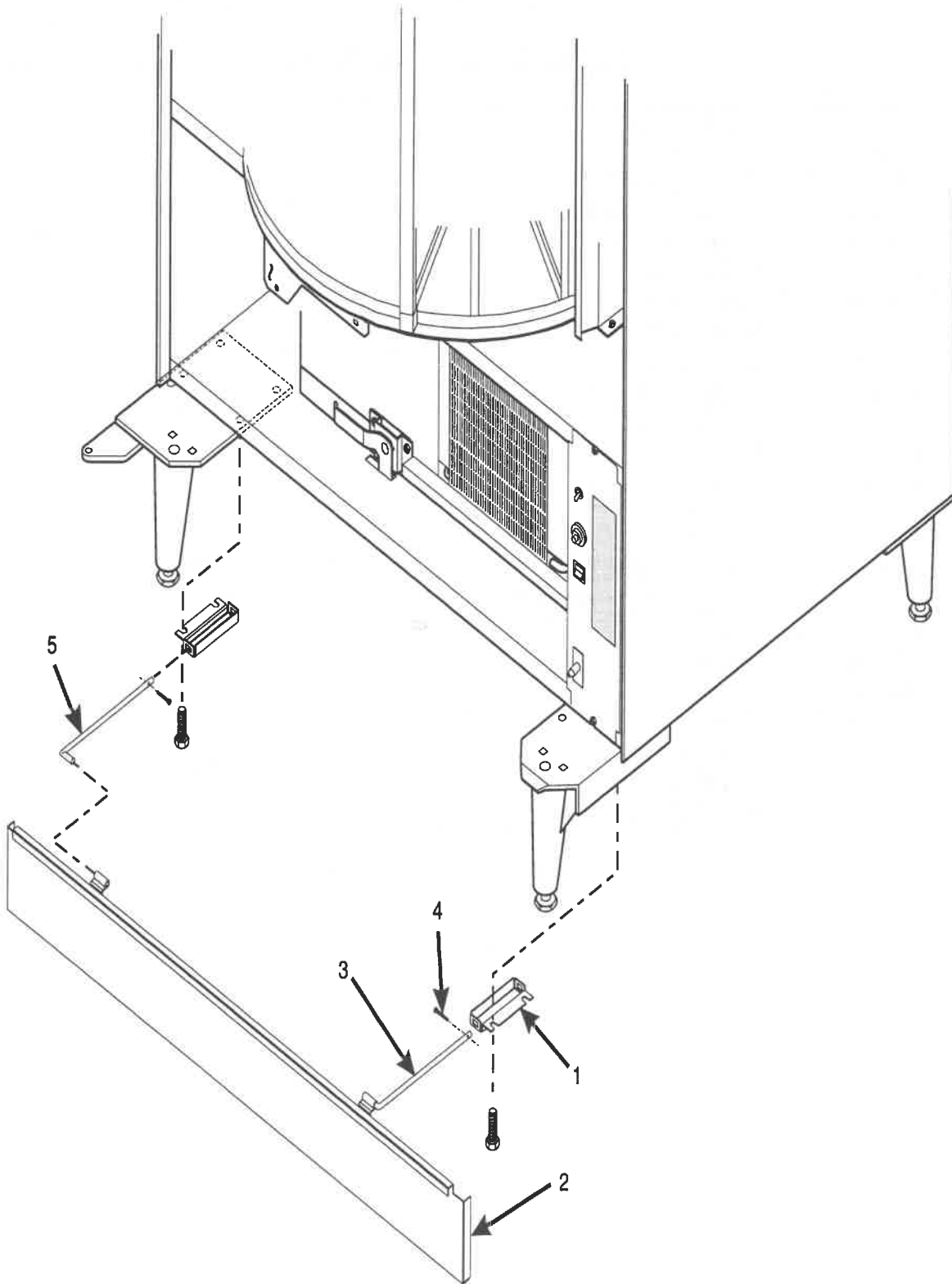


Figure 3. Base Plate Assembly



# Shoppertron Parts Manual

TABLE 3. BASE PLATE ASSEMBLY

INDEX	PART NUMBER	DESCRIPTION	QTY.
1	4311071	BRACKET - BASEPLATE	2
2	2271408	BASE PLATE ASSEMBLY - HINGED	1
3	4301511	SLIDE - BASE PLATE - RIGHT HAND	1
4	9900098	COTTER PIN 3/32 X 3/4 IN	2
5	4301512	SLIDE - BASE PLATE - LEFT HAND	1
6	-	BOLT	-



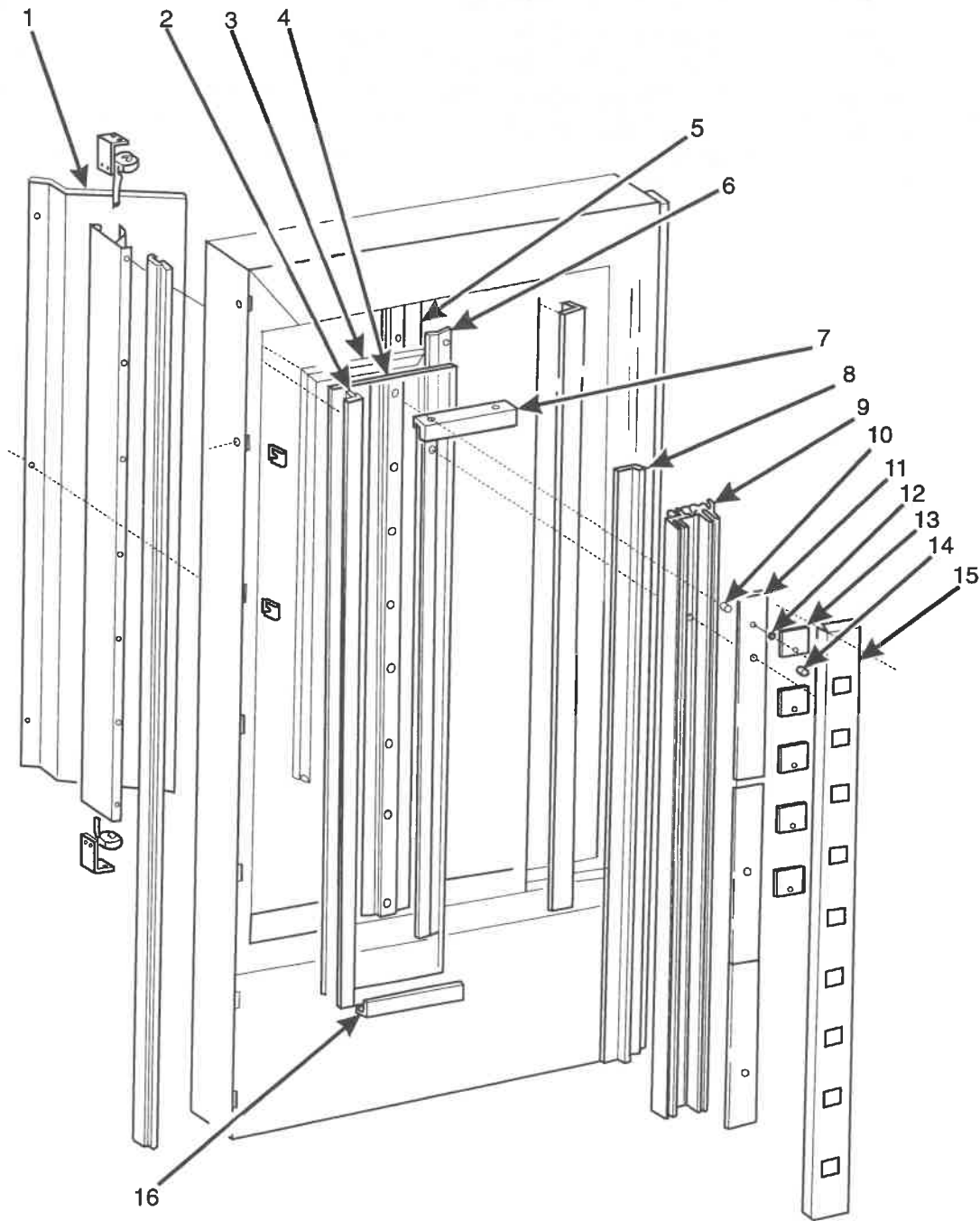


Figure 4. External Door Assembly



*Price Display*

## Shoppertron Parts Manual

TABLE 4. EXTERNAL DOOR ASSEMBLY

INDEX	PART NUMBER	DESCRIPTION	QTY.
1	4302198	WINDOW - DOOR	1
2	4302119	TRIM - DOOR - LEFT	1
3	4302219	GASKET - WINDOW	1
4	4302025	INSULATED GLASS ASSEMBLY	1
5	4302136	STIFFENER - CENTER POST	1
6	4302089	LOCATOR - DOOR GUIDE	1
7	4302078	RETAINER - GLASS - TOP	1
8	4302034	ANGLE - CENTER POST	1
9	4302236	POST - CENTER - DOOR	1
10	9900081	NUT #8 - 32 KEPS ZINC PLATE	9
11	4306011	PRICE DISPLAY PCB ASSEMBLY	3
12	4302134	SPACER - P.C. BOARD	9
13	4302275	LENS - PRICE	9
14	4241165	SPACER - LINER - .375 LG X.500 DIA	3
15	4302129	COVER ASSEMBLY - P.C. BOARD	1
16	4302079	RETAINER - GLASS - BOTTOM	1

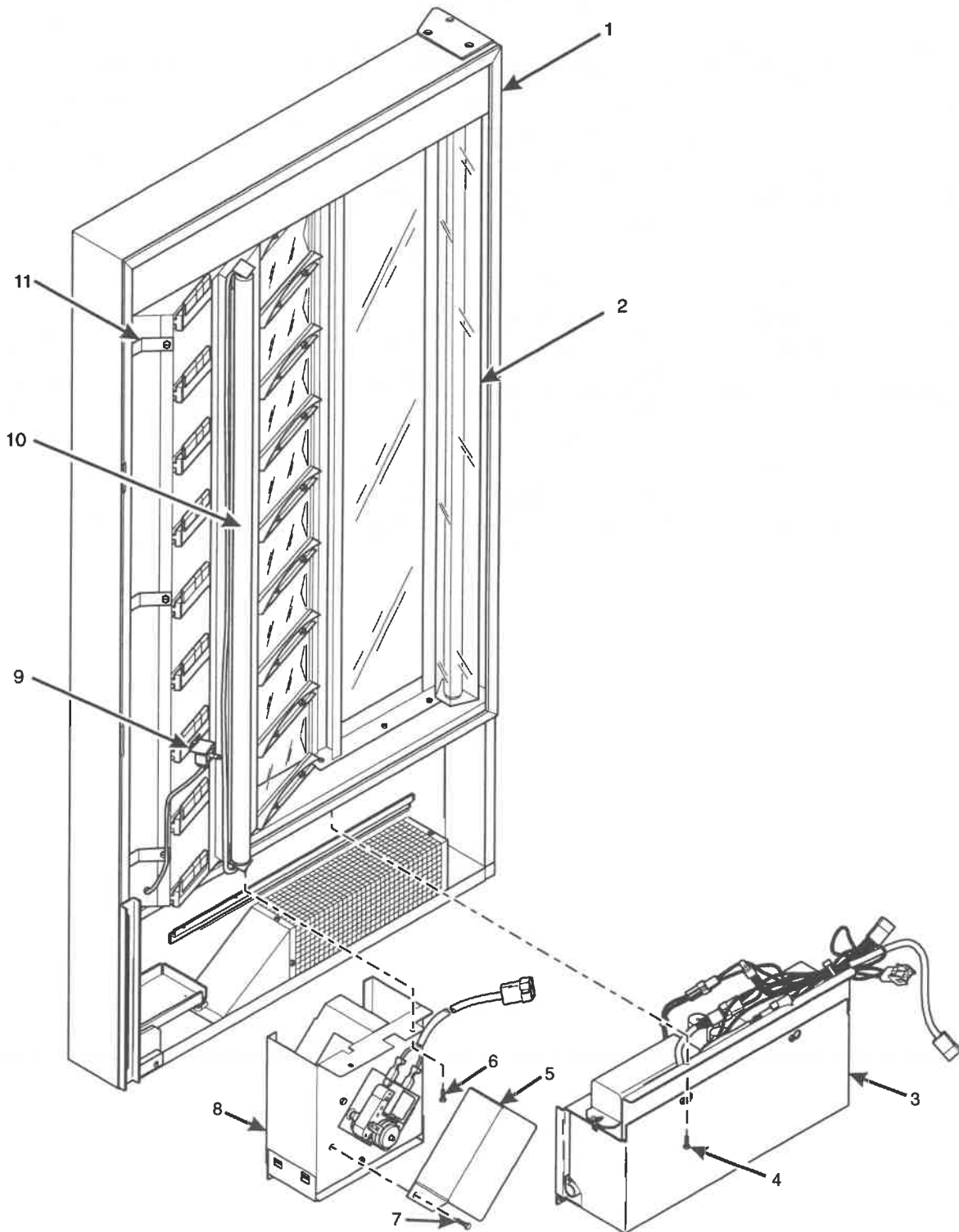


Figure 5. Internal Door Assembly (Part 1 of 3)



# Shoppertron Parts Manual

TABLE 5. INTERNAL DOOR ASSEMBLY (PART 1 OF 3)

INDEX	PART NUMBER	DESCRIPTION	QTY.
1	4312001	DOOR ASSEMBLY - WELD	1
2	4302187X	LIGHT ASSEMBLY - LEFT SIDE (WHITE) (SEE FIGURE 9 FOR DETAILS)	1
	4302398X	LIGHT ASSEMBLY - LEFT SIDE (BLACK) (SEE FIGURE 9 FOR DETAILS)	
3	4311095	ELECTRICAL ASSEMBLY - LOWER DOOR (SEE FIGURE 7 FOR DETAILS)	1
4	-	MOUNTING HARDWARE	-
5	4312055	COVER - BLOWER MOTOR	1
6	-	MOUNTING HARDWARE	-
7	-	MOUNTING HARDWARE	-
8	4312010	DUCT - BLOWER ASSEMBLY (SEE FIGURE 6 FOR DETAILS)	1
9	4312009	BRACKET - TURRET SWITCH	1
10	4302186X	LIGHT ASSEMBLY - RIGHT SIDE (WHITE) (SEE FIGURE 8 FOR DETAILS)	1
	4302393X	LIGHT ASSEMBLY - RIGHT SIDE (BLACK) (SEE FIGURE 8 FOR DETAILS)	
11	4302181	SUPPORT - BRACKET	3

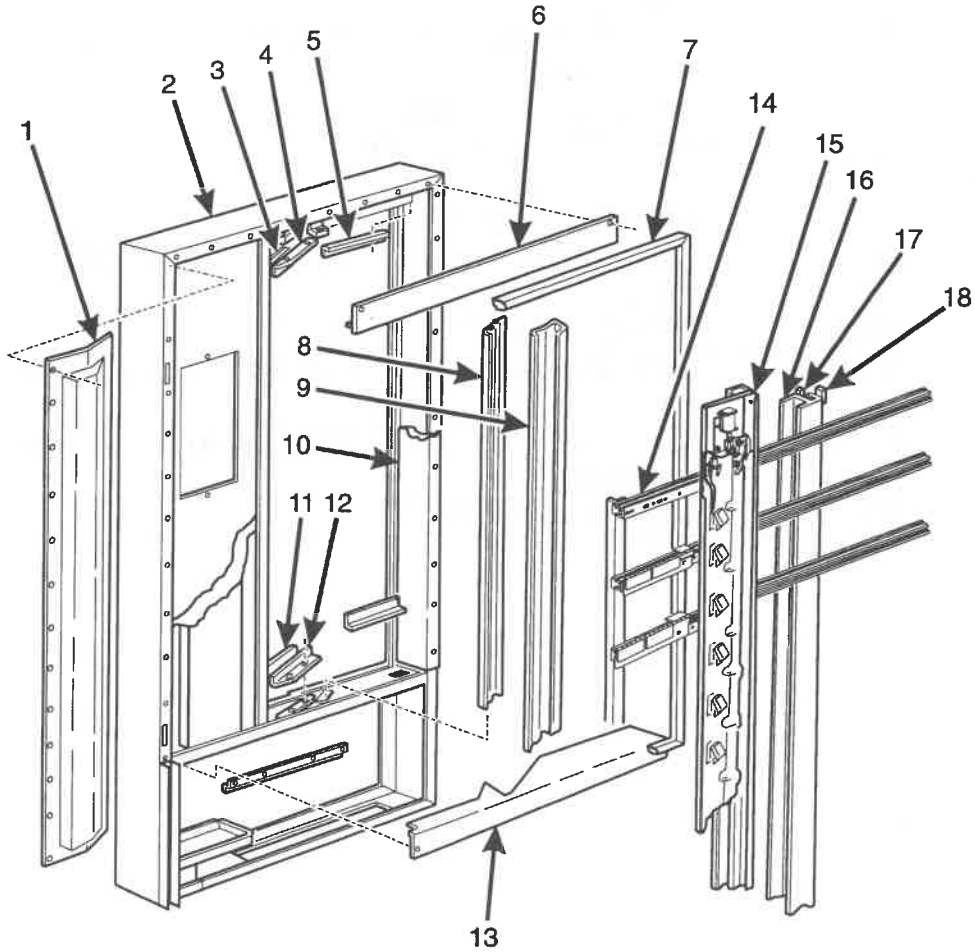


Figure 5. Internal Door Assembly (Part 2 of 3)



# Shoppertron Parts Manual

TABLE 5. INTERNAL DOOR ASSEMBLY (PART 2 OF 3)

INDEX	PART NUMBER	DESCRIPTION	QTY.
1	4302030	LINER - DOOR - RIGHT	1
2	4312001	DOOR ASSEMBLY - WELD	1
3	4302076	RETAINER - DOOR - TOP	1
4	4302081	RETAINER - INSULATION - TOP	1
5	4302075	ANGLE - GLASS TOP	1
6	4302028	LINER - DOOR - TOP	2
7	4302094	GASKET - DOOR	1
8	4302136	STIFFENER - CENTER POST	1
9	4302199	BAFFLE - DOOR	1
10	4302027	LINER - DOOR - LEFT	1
11	4302077	RETAINER - DOOR - BOTTOM	1
12	4302082	RETAINER - INSULATION - BOTTOM	1
13	4302029	LINER - DOOR - BOTTOM	1
14	-	VEND DOOR AND DOOR GUIDE ASSEMBLY (SEE FIGURE 10 FOR DETAILS)	1
15	4312064	DOOR MECHANISM ASSEMBLY (SEE FIGURE 11 FOR DETAILS)	1
16	4302035	COVER - DOOR CHANNEL	1
17	4302213	FOAM TAPE - 47.50" LONG	1
18	4302189	FOAM TAPE - 48" LONG	2

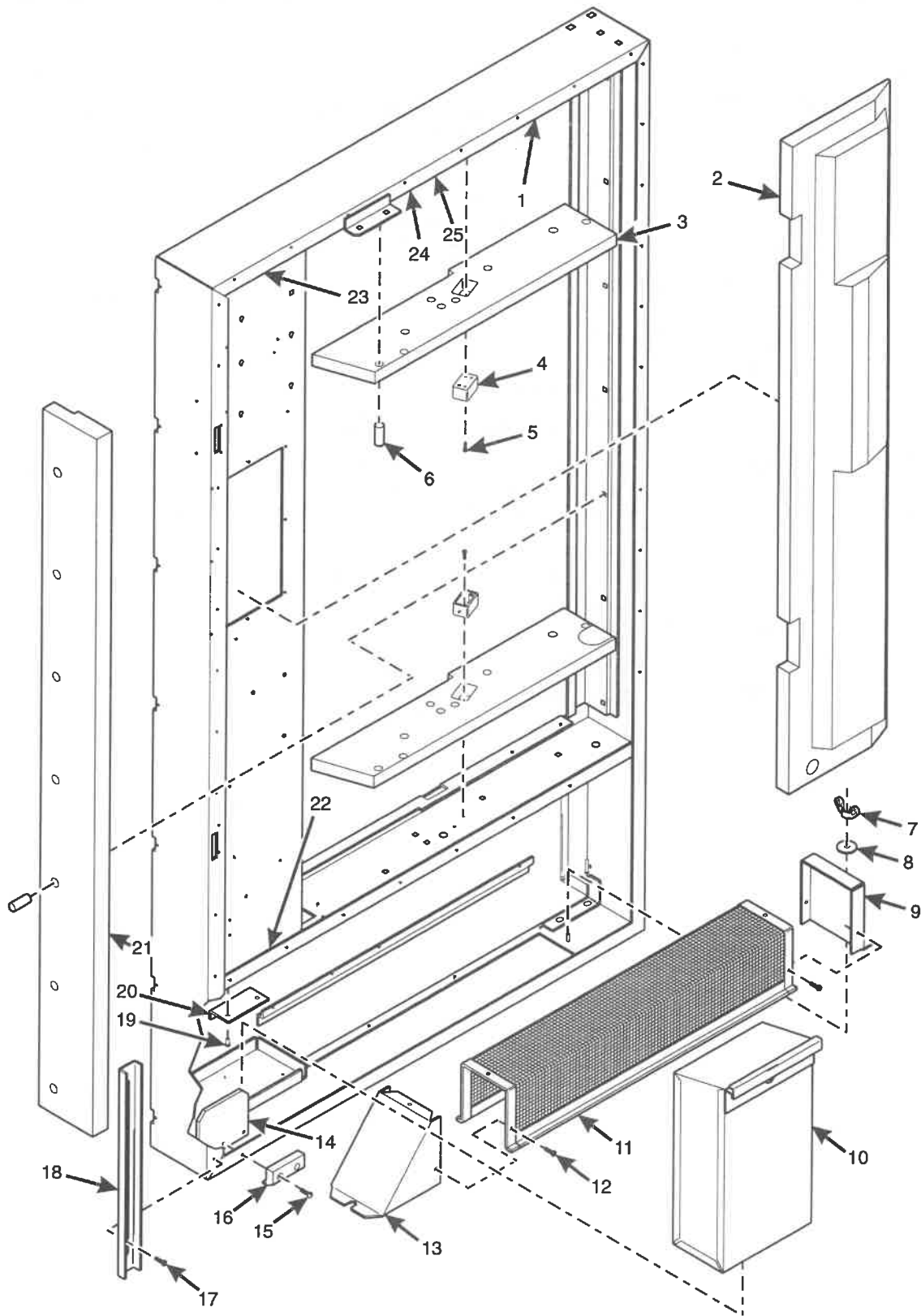


Figure 5. Internal Door Assembly (Part 3 of 3)



# Shoppertron Parts Manual

TABLE 5. INTERNAL DOOR ASSEMBLY (PART 3 OF 3)

INDEX	PART NUMBER	DESCRIPTION	QTY.
1	4302095	INSULATION - DOOR - TOP	1
2	4302097	INSULATION - DOOR - RIGHT	1
3	4312025	INSULATION - DOOR - BOTTOM	2
4	4302036	SUPPORT - CENTER POST	2
5	-		-
6	9989649	SPACER - PLASTIC - .50 DIA X 1.25 LONG	14
7	9900039	WING NUT #10-32 SELF - LOCKING	2
8	1122521	BUSHING LOCK CAM	2
9	4041057	END CAP SCREEN FRONT	1
10	4302408	BOX ASSEMBLY - MONEY	1
11	4302144	SCREEN - FRONT	1
12	-		-
13	4302163	END CAP - SCREEN FRONT	1
14	4312063	PLATE - DOOR SWITCH ACTUATOR	1
15	-		-
16	4302191	GLIDE - DOOR	1
17	-		-
18	4302237	DOOR SUPPORT CHANNEL	1
19	-		-
20	4302022	ANGLE - MONEY BOX LOCK	1
21	4302098	INSULATION - DOOR - LEFT	1
22	4302150	INSULATION - DOOR FRONT	1
23	4302099	INSULATION - DOOR - FILLER	2
24	4302151	INSULATION - .50 DIA. X 12.00	2
25	4302152	INSULATION - .50 DIA. X 11.12	2
-	4302179	SEAL - DOOR - LOWER RIGHT (NOT SHOWN)	1
-	4302180	SEAL - DOOR - SIDE - LEFT (NOT SHOWN)	2
-	4302192	SEAL - DOOR - LOWER LEFT (NOT SHOWN)	1



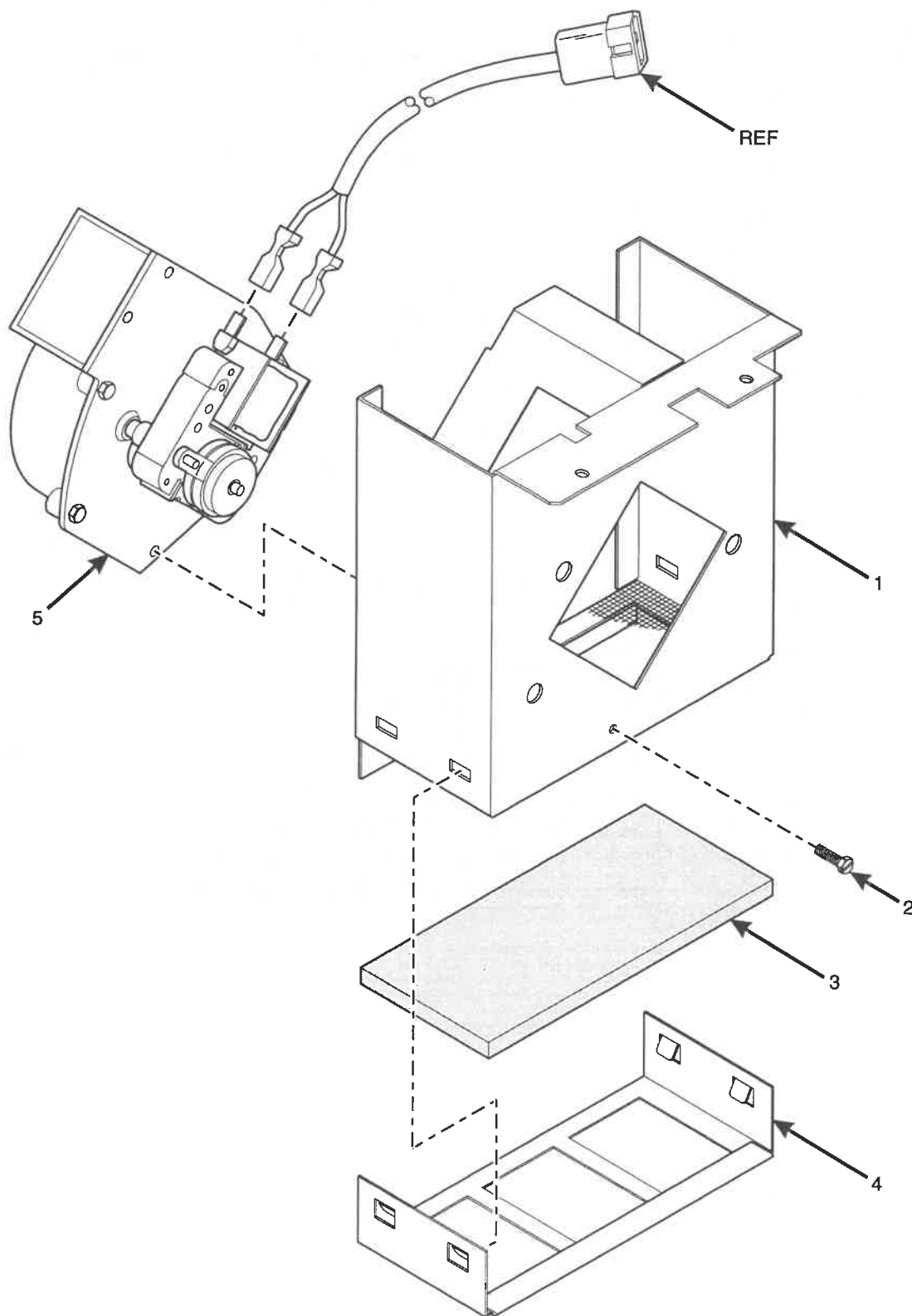


Figure 6. Duct - Blower Assembly



*VENT DOOR  
BLOWER ASSY*

# Shoppertron Parts Manual

TABLE 6. DUCT - BLOWER ASSEMBLY

INDEX	PART NUMBER	DESCRIPTION	QTY.
-	4312010	DUCT - BLOWER ASSEMBLY	1
1	4312011	WELD ASSY-DUCT BLOWER	1
2	-	SCREW	-
3	4312016	FILTER-DOOR DUCT	1
4	4312015	RETAINER-FILTER	1
5	4302556	BLOWER ASSEMBLY-115V	1

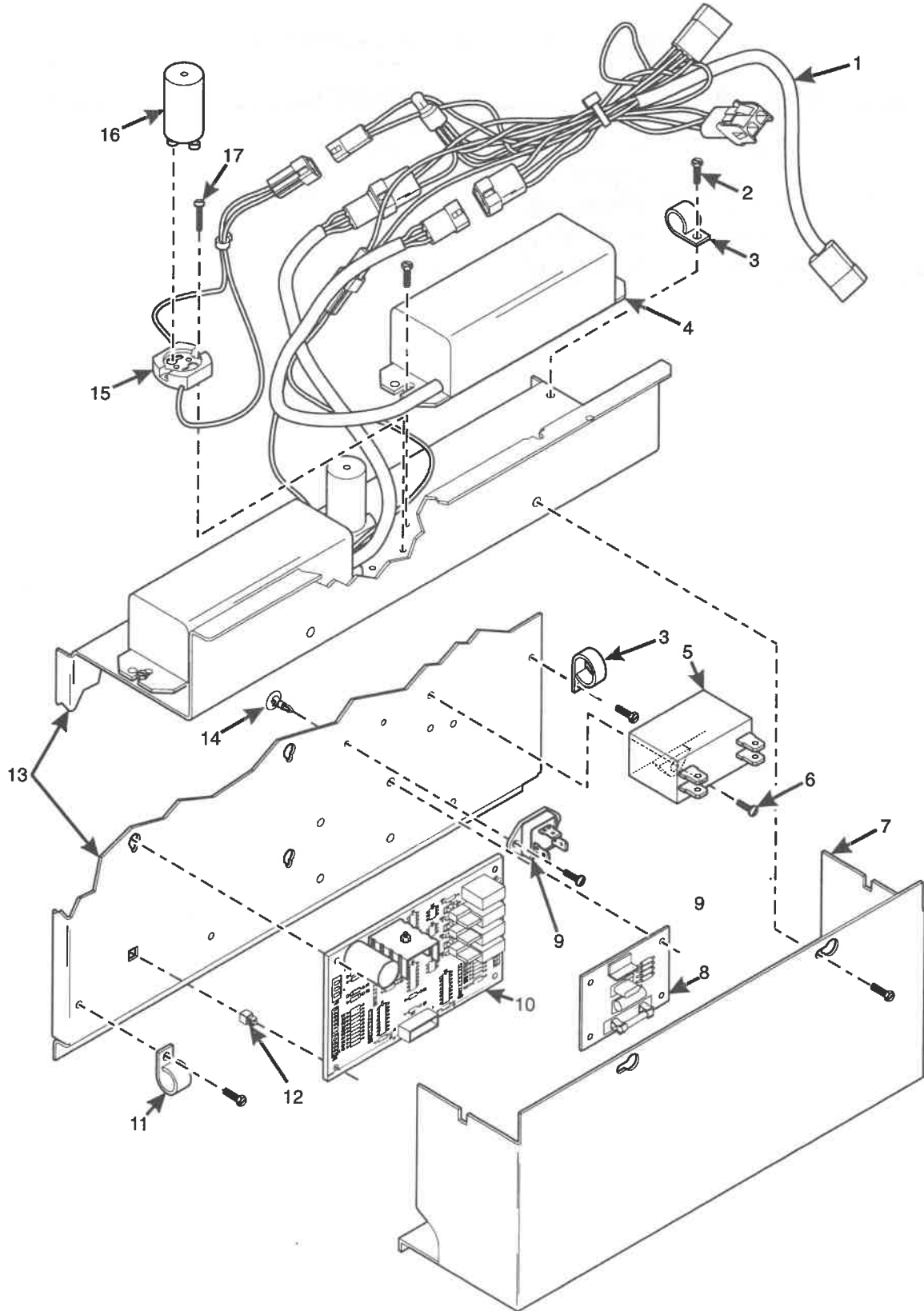


Figure 7. Lower Door Electrical Assembly



CAD  
TRIA  
PS

# Shoppertron Parts Manual

TABLE 7. LOWER DOOR ELECTRICAL ASSEMBLY

INDEX	PART NUMBER	DESCRIPTION	QTY.
-	4311095	ELECTRICAL ASSEMBLY - LOWER DOOR	1
1	-	HARNESS	-
2	-	SCREW	-
3	4751060	RETAINER - HARNESS	2
4	4241135	BALLAST ASSEMBLY CENTER LIGHT	1
5	9988210	CAPACITOR - MOTOR RUN - 10UF	1
6	-	SCREW	-
7	4312065	COVER - CONTROL CHASSIS	1
8	9989659	PCB ASSEMBLY - DUMB MECH POWR SUPPLY	1
9	9983778	TRIAC - 35A - 600V	1
10	4316009	PCB ASSEMBLY - SHOPPER INTERFACE	1
11	6231035	HARNESS CLIP - .750	1
12	1571034	STANDOFF - PCB - 3/8 SCREW MOUNT	1
13	4312017	CHASSIS - CONTROL	1
14	1571035	STANDOFF - PCB - 3/8 SNAP LOCK	4
15	4319008	STARTER SOCKETS ASSEMBLY	2
16	4031150	FLUORESCENT LAMP STARTER FS-4	2
17	-	SCREW	-

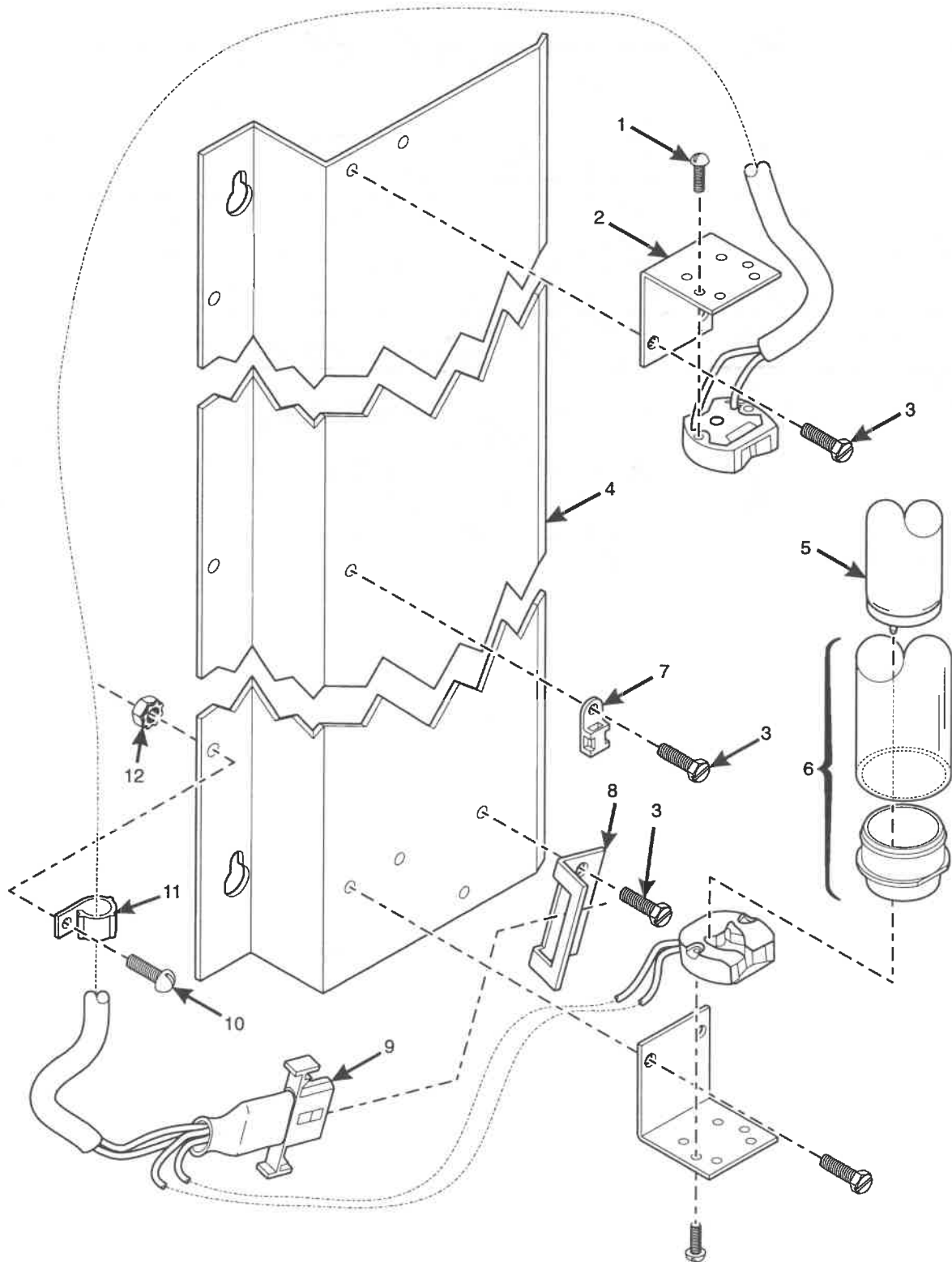


Figure 8. Light Assembly - Left Side



# Shoppertron Parts Manual

TABLE 8. LIGHT ASSEMBLY - LEFT SIDE

INDEX	PART NUMBER	DESCRIPTION	QTY.
-	4302187X	MECH. COVER & LIGHT BRACKET ASSEMBLY (WHITE)	1
	4302398X	MECH. COVER & LIGHT BRACKET (BLACK)	
1	1452076	SCREW - #4 - 36 X .437 RHS	4
2	4302086	ANGLE - LIGHT (WHITE)	2
	4302396	ANGLE - LIGHT (BLACK)	
3	3157060	SCREW - #8-32 X .31 HEX W/ HD. SLOTTED - T/F - ZINC PL	7
4	4302646	COVER - MECHANISM (WHITE)	1
	4302647	COVER - MECHANISM (BLACK)	
5	4031149	LAMP - FLUORESCENT - 40WATT - F40CWXF40CWX, SYL #24441, 30/CS	1
6	4302069	SAFETY SLEEVE ASSEMBLY BARRETT #2260 W/ END CAPS	1
7	4302245	ANCHOR - CABLE TIE #TA1 S8 M	1
8	4302093	BRACKET - FLOURESCENT PLUG	1
9	4302412	HARNESS - FLOURESCENT LIGHT	1
10	9900019	SCREW #8 - 32 X 3/8 RHS	3
11	1452139	RETAINER - HARNESS	3
12	9900081	NUT #8 - 32 KEPS ZINC PLATE	3

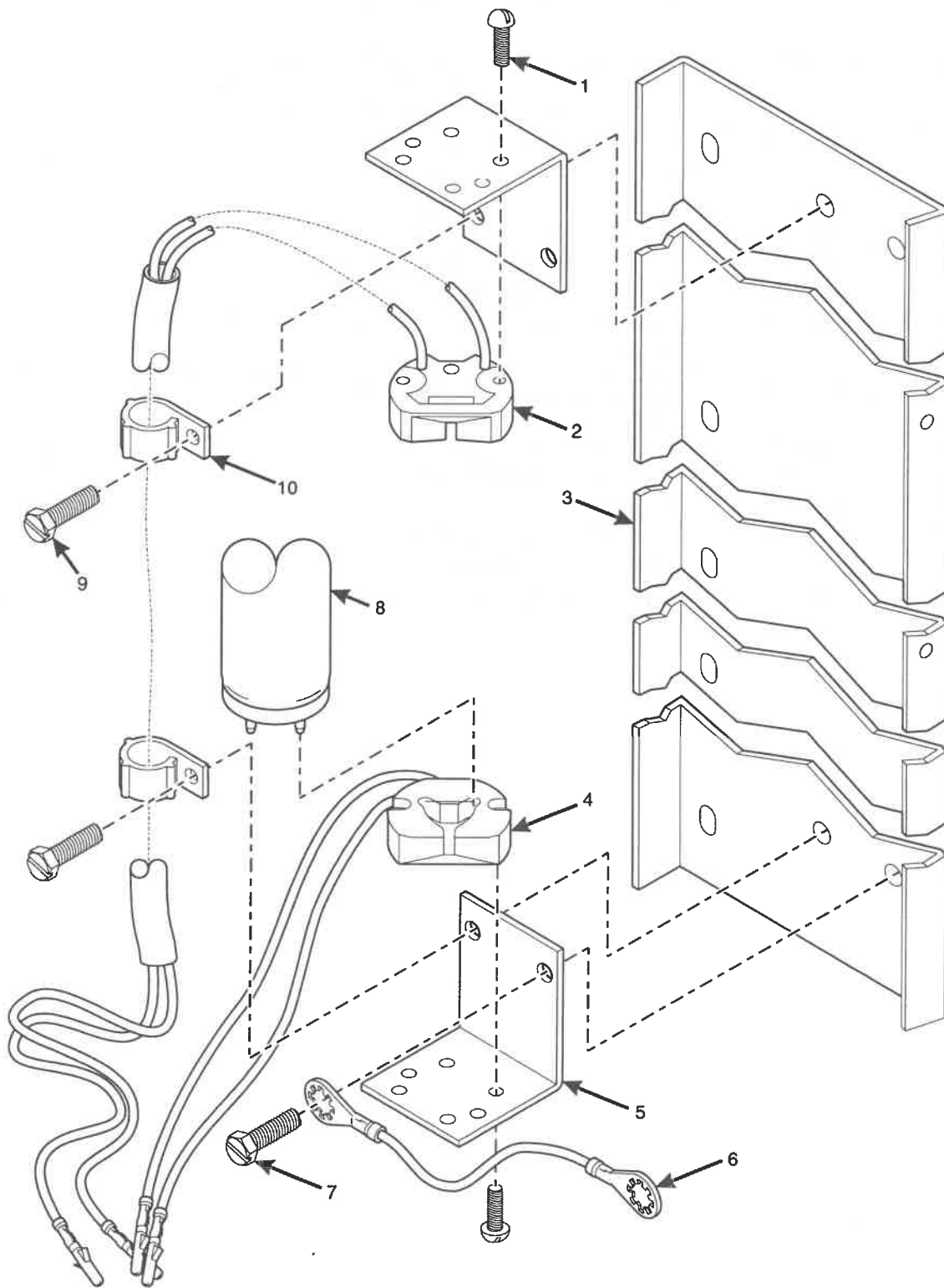


Figure 9. Light Assembly - Right Side



# Shoppertron Parts Manual

TABLE 9. LIGHT ASSEMBLY - RIGHT SIDE

INDEX	PART NUMBER	DESCRIPTION	QTY.
-	4302186X	FLUORESCENT LIGHT BRACKET ASSEMBLY (WHITE)	1
	4302393X	FLUORESCENT LIGHT BRACKET ASSEMBLY (BLACK)	
1	1452076	SCREW - #4 - 36 X .437 RHS	4
2	4302276	FLUORESCENT SOCKET - UPPER	1
3	4302085	BRACKET - LIGHT (WHITE)	1
	4302394	BRACKET - LIGHT (BLACK)	
4	4302277	FLUORESCENT SOCKET - LOWER	1
5	4302086	ANGLE - LIGHT (WHITE)	2
	4302396	ANGLE - LIGHT (BLACK)	
6	1475119	JUMPER - GROUND WIRE	1
7	3157060	SCREW - #8-32 X .31 HEX W/ HD. SLOTTED - T/F - ZINC PL	2
8	4031149	LAMP - FLUORESCENT - 40WATT - F40CWX F40CWX, SYL #24441, 30/CS	1
9	9900106	SCREW #8-32 X 3/8 ACORN HEX HD S/TA	2
10	2342315	CLIP - WIRE HARNESS	2



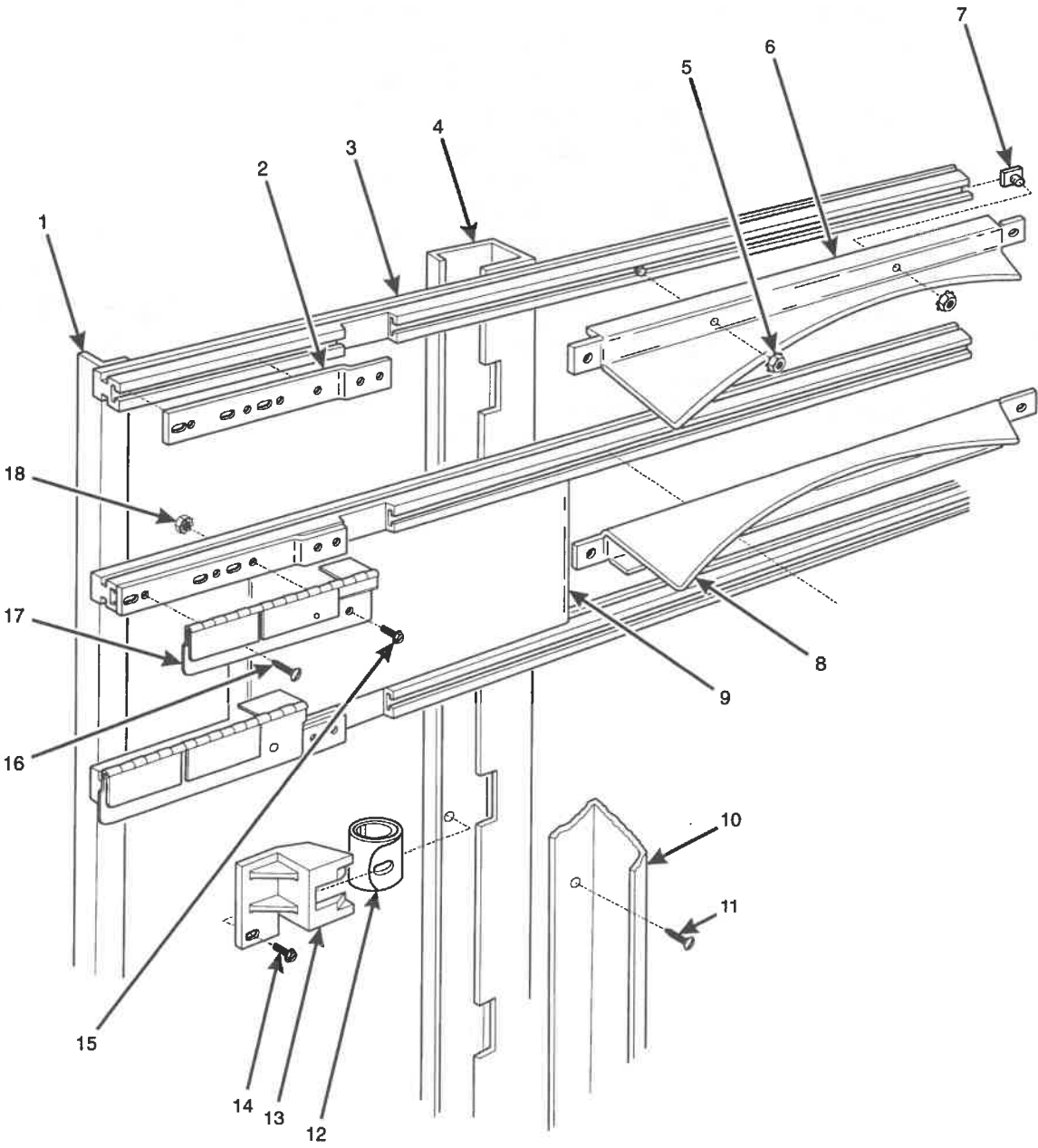


Figure 10. Vend Door and Door Guide Assembly



Vend Doors

# Shoppertron Parts Manual

TABLE 10. VEND DOOR AND DOOR GUIDE ASSEMBLY

INDEX	PART NUMBER	DESCRIPTION	QTY.
1	4302106	ANGLE - SUPPORT - GUIDE	1
2	4302105	BAR - DOOR GUIDE	10
3	4302269	GUIDE - DOOR	10
4	4302143	CHANNEL - SPRINGS	1
5	9900081	NUT #8-32 KEPS ZINC PLATE	30
6	4302118	STIFFENER - GUIDE - TOP	1
7	2222110	T BOLT TRIM	20
8	4302117	STIFFENER - DOOR GUIDE	9
9	4302372	DOOR ASSEMBLY - VEND	9
10	4302222	ANGLE - MECH. SUPPORT	1
11	-		
12	4302145	SPRING - DOOR	9
13	4302113	HOUSING - SPRING	9
14	-		
15	-		
16	-		
17	4302407	STOP - VEND DOOR - ADJUSTABLE	9
18	-		

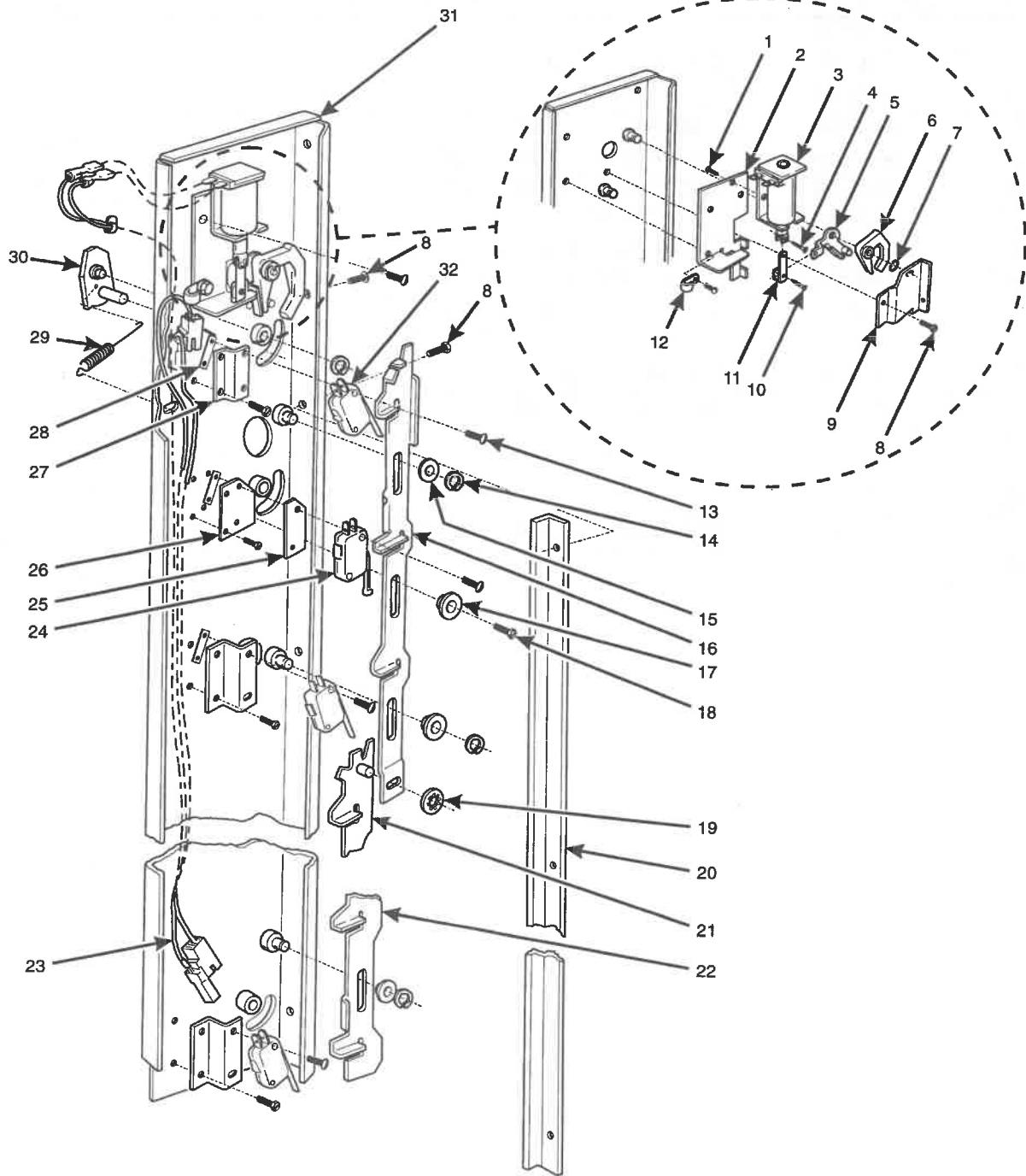


Figure 11. Vend Door Mechanism Assembly



# LOCK BAR ASSY

## Shoppertron Parts Manual

TABLE 11. VEND DOOR MECHANISM ASSEMBLY

INDEX	PART NUMBER	DESCRIPTION	QTY.
1	9900090	SCREW #6-32 X 3/16 RHS W/LKW	2
2	4302329	PLATE - SOLENOID	1
3	4252029	SOLENOID - 24 VDC	1
4	9900098	COTTER PIN 3/32 X 3/4 IN	1
5	4302332	PAWL ASSEMBLY	1
6	4302338	LEVER - ANTI CHEAT	1
7	9900122	RETAINING RING E TYPE.187 SPCL	1
8	9900157	SCREW #8 - 32X7/32 HWHD TY23 ANVALR ZP	22
9	4302224	COVER - PAWL	1
10	9900140	COTTER PIN 1/16 X 7/16	1
11	4076510	LINK SOLENOID	1
12	2302227	CABLE CLAMP - RICHCO #N6	7
13	1217160	4-40 X 5/8 RHS M SCREW Z/Y	20
14	9900146	RETAINING RING E TYPE .312	15
15	9900171	WASHER - BRASS 9/16 X .315 X.040	6
16	4302345	LOCKBAR - UPPER	1
17	4302348	RETAINER - LOCK BAR	2
18	3157060	SCREW - #8-32 X .31 HEX W/HD. SLOTTED - T/F - ZINC PL	2
19	5201267	PUSH ON RETAINER .312	2
20	4302223	ANGLE - LOCK BAR	1
21	4302324	LOCK BAR CENTER ASSEMBLY	1
22	4302320	LOCK BAR LOWER ASSEMBLY	1
23	4302354	HARNESS - MECHANISM	1
24	5201091	SWITCH	1
25	6112042	INSULATOR - SWITCH	1
26	4302318	PLATE - SWITCH	1
27	4302315	BRACKET - SWITCH	9
28	4302316	FASTENER - TWIN TYPE	10
29	4302339	SPRING - LOCKOUT ARM	9
30	4302360	ARM LOCKOUT ASSEMBLY	9
31	4302350	PANEL MECHANISM ASSEMBLY	1
32	4302319	SWITCH - LEVER - 1 7/8	9

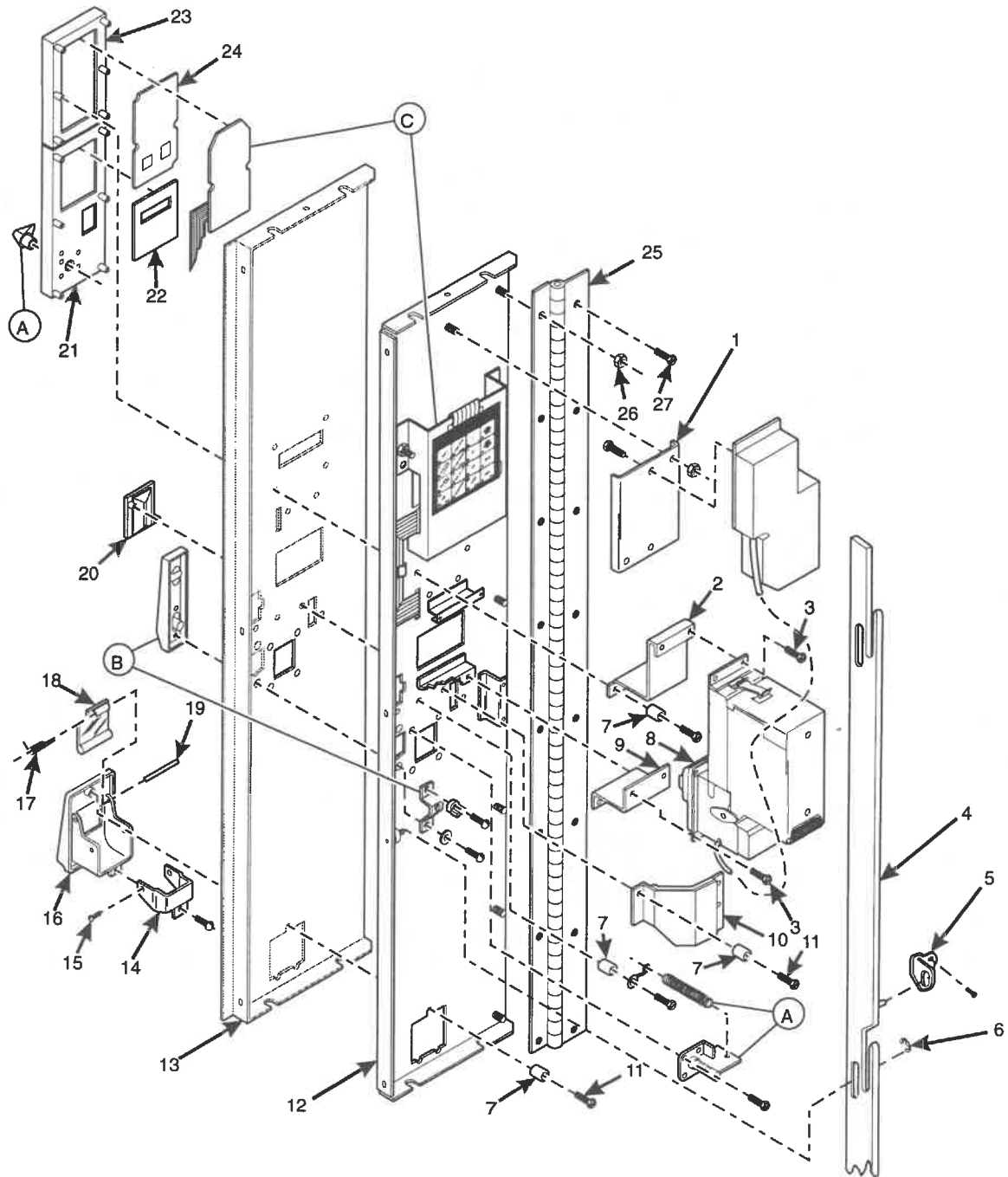


Figure 12. Monetary Door



# Shoppertron Parts Manual

TABLE 12. MONETARY DOOR

INDEX	PART NUMBER	DESCRIPTION	QTY.
1	4305131	BRACKET - MOUNTING - MAKA	1
2	4305016	BRACKET - UPPER - MAKA VALIDATOR	1
3	-	SCREW	21
4	4305027	LOCK BAR ASSEMBLY	
5	2272052	ACTUATOR ASSEMBLY LOCK BAR (REFERENCE ONLY - SEE FIGURE 12B)	-
6	9900425	RETAINING RING REINF E TYP .250	
7	2302053	SPACER - CUP	12
8	OPT.	VALIDATOR	OPT.
9	4315018	BRACKET - LOWER - MAKA VALIDATOR	OPT.
10	4305031	BACK ASSEMBLY - COIN CHUTE	1
	4305034	COVER - COIN CHUTE	1
11	-	SCREW	5
12	4315020	DOOR WELD ASSEMBLY - MONETARY	1
13	OPT.	TRIM PANEL - MONETARY DOOR	1
14	1272044	PLATE RECEPTACLE 2 ICE	1
15	9900203	SCREW - #6-20 X 3/8 PHS T/C	3
16	1272131	COIN RECEPTACLE	1
17	1212117	SPRING COIN RETURN DOOR	1
18	1272132	GATE COIN RECEPTACLE	1
19	1272039	PIN - GATE	1
20	1472223	COIN INSERT	1
21	4255026	BEZEL - PUSH BUTTON	1
22	-	INSERT - INSTRUCTION - LOWER	1
23	4305019	CASTING - SCAVENGER & READOUT	1
24	-	INSERT - INSTRUCTION - UPPER	1
25	4305011	HINGE - MONETARY DOOR	1
26	-	NUT	-
27	-	SCREW	-
A	-	SCAVENGER ASSEMBLY (SEE FIGURE 12A FOR DETAILS)	-
B	-	LIFT HANDLE LOCK ASSEMBLY (SEE FIGURE 12B FOR DETAILS)	-
C	-	MONETARY DOOR ELECTRONICS ASSEMBLY (SEE FIGURE 12C FOR DETAILS)	-

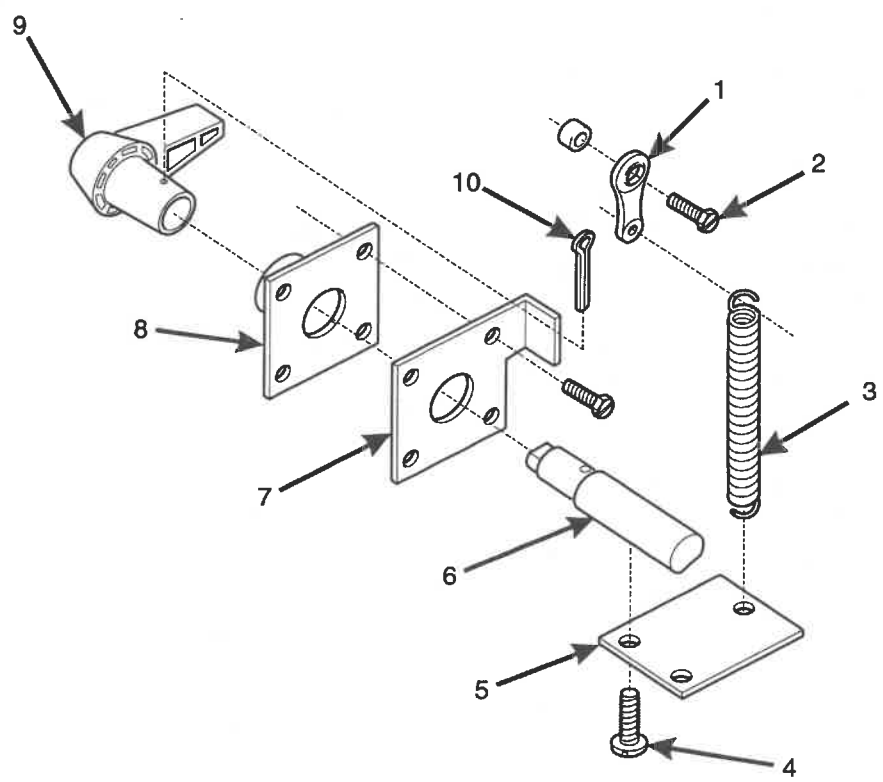


Figure 12A. Scavenger Assembly



# Shoppertron Parts Manual

TABLE 12A. SCAVENGER ASSEMBLY

INDEX	PART NUMBER	DESCRIPTION	QTY.
1	4241235	LOCKING - TERMINAL - LUG	1
2	-	SCREW - #8-32 X 5/16 HEX WHS T/C	5
3	4076515	SPRING COMMON BAR	1
4	-	SCREW - #8-32 X 1/4 PHS W/LW	2
5	4305062	LEVER - COIN RETURN	1
6	4305050	SHAFT - COIN RETURN	1
7	4305026	STOP - COIN RETURN LEVER	1
8	1402014	BEARING SCAVENGER	1
9	1452191	HANDLE - SCAVENGER	1
10	-	COTTER PIN 3/32 X 3/4 IN.	1



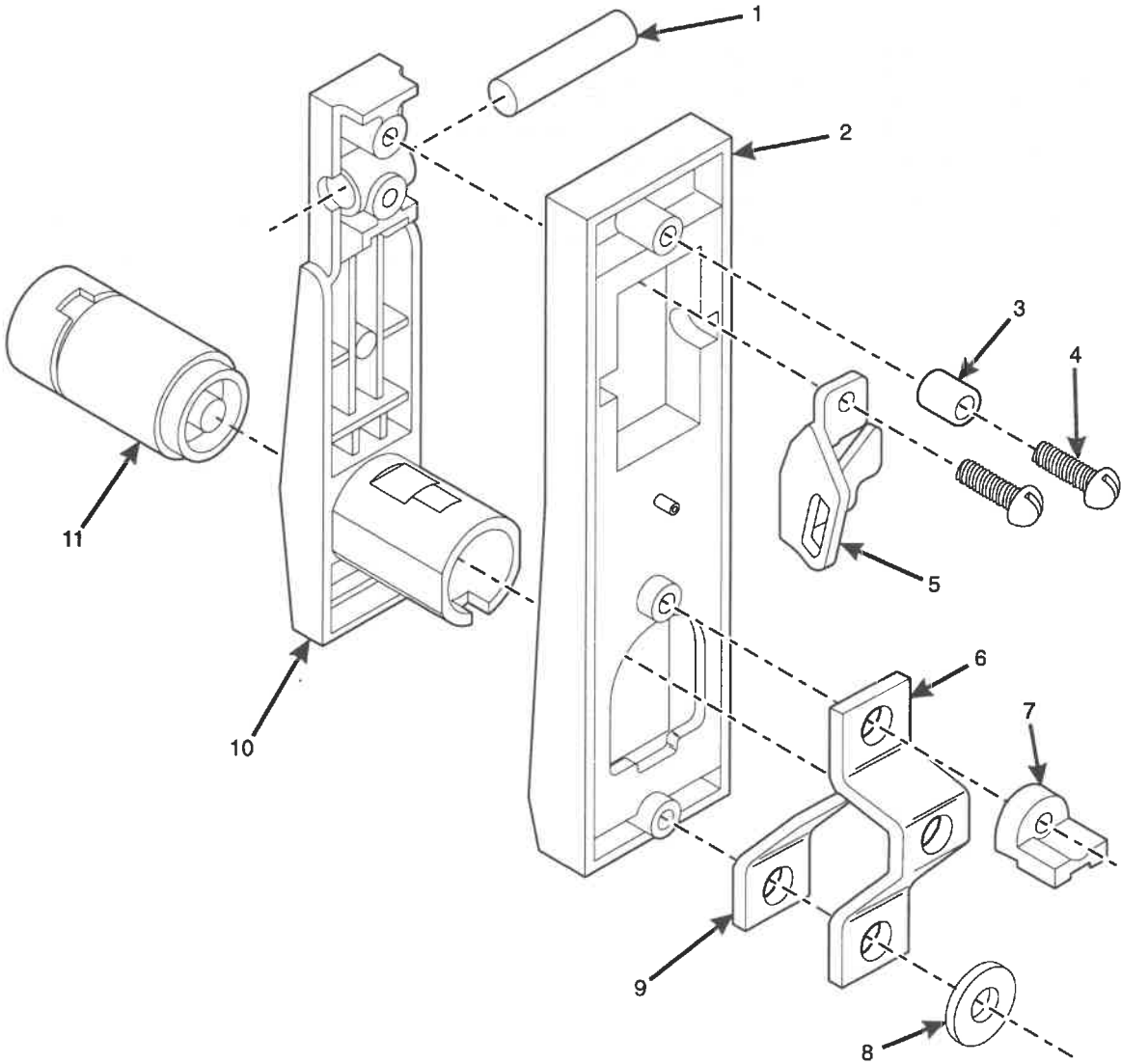


Figure 12B. Lift Handle Lock Assembly



# Shoppertron Parts Manual

TABLE 12B. LIFT HANDLE LOCK ASSEMBLY

INDEX	PART NUMBER	DESCRIPTION	QTY.
1	1302291	PIVOT LEVER - LOCK	1
2	1172191	BASE LEVER - LOCK	1
3	1302289	SPACER - CUP	1
4	-	SCREW #10-32 X 1/2 RHS W/LW	5
5	2272052	ACTUATOR ASSEMBLY - LOCK BAR	1
6	1302324	CATCH - DOOR LATCH	1
7	1302326	SHIELD - LATCH	1
8	-	WASHER - 7/16 X 13/64	1
9	1302290	LATCH LOCK - LOWER	1
10	1172190	LEVER - LOCK	1
11	9992400	LOCK CYLINDER #4355-19-A	OPT.
	9994000	KEY	
	3112163	CYLINDER - VAN LOCK #4275	
	3112164	KEY - VAN LOCK #K5 - STD. COMBINATION	

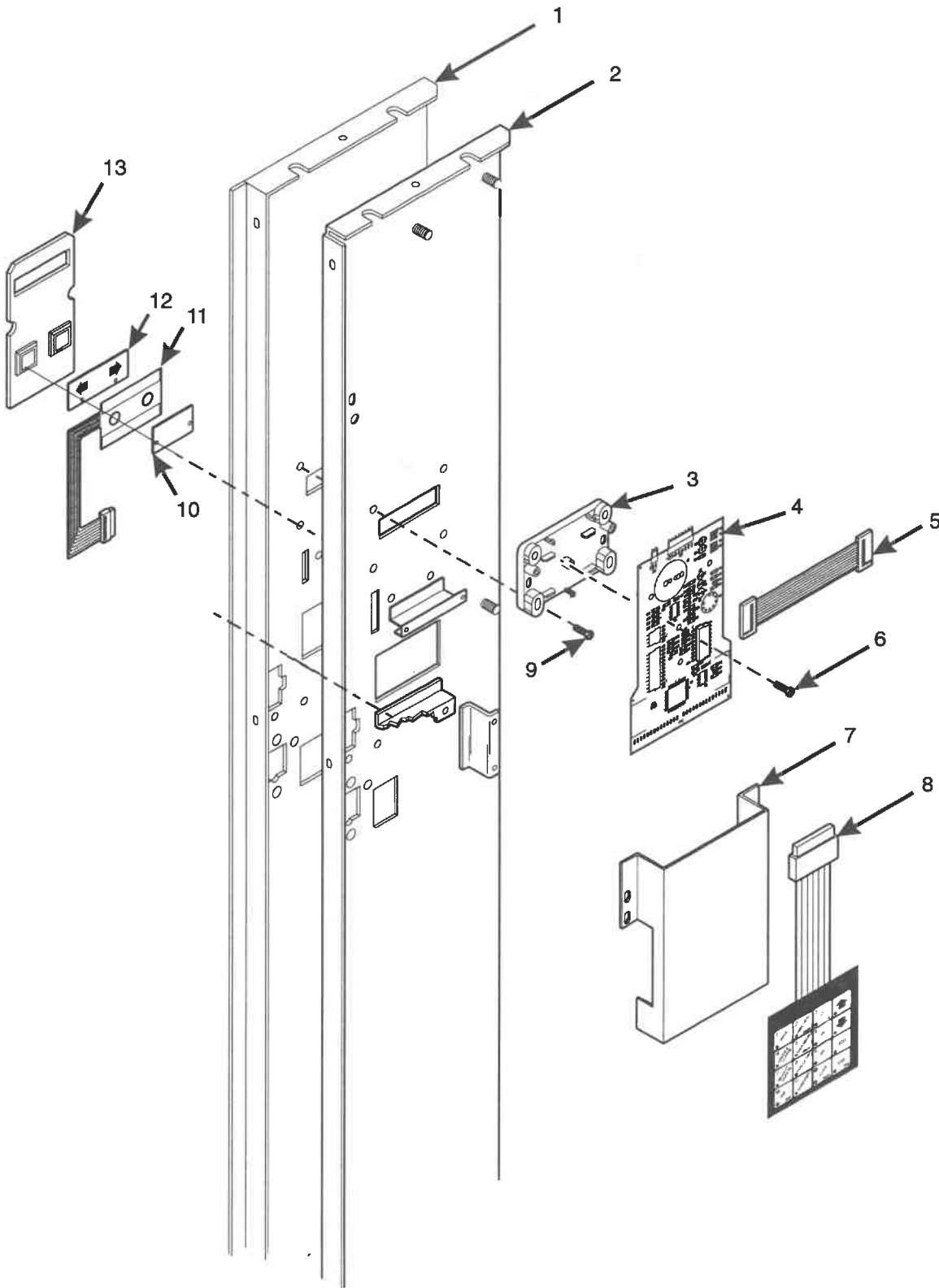


Figure 12C. Monetary Door Electronics Assembly



Display  
Arrow

service keypad

# Shoppertron Parts Manual

TABLE 12C. MONETARY DOOR ELECTRONICS ASSEMBLY

INDEX	PART NUMBER	DESCRIPTION	QTY.
1	OPT.	TRIM PANEL - MONETARY DOOR	1
2	4315020	DOOR WELD ASSEMBLY - MONETARY	1
3	1475099	BRACKET - PCB - DISPLAY	1
4	9989685	PCB ASSEMBLY - DISPLAY	1
5	6339017	FLAT CABLE - DISPLAY TO CONTROLLER	1
6	-	SCREW	-
7	4315003	BRACKET - PCB MOUNTING	1
8	6335002X	SERVICE KEYPAD ASSEMBLY	1
9	-	SCREW	-
10	4305077	DIRECTION SWITCH SHIM PLATE	1
11	4315001	DIRECTION SWITCH - MEMBRANE	1
12	4305069	ARROW SHEET - PUSHBUTTON	1
13	4305071	BUTTON HOUSING ASSEMBLY	1

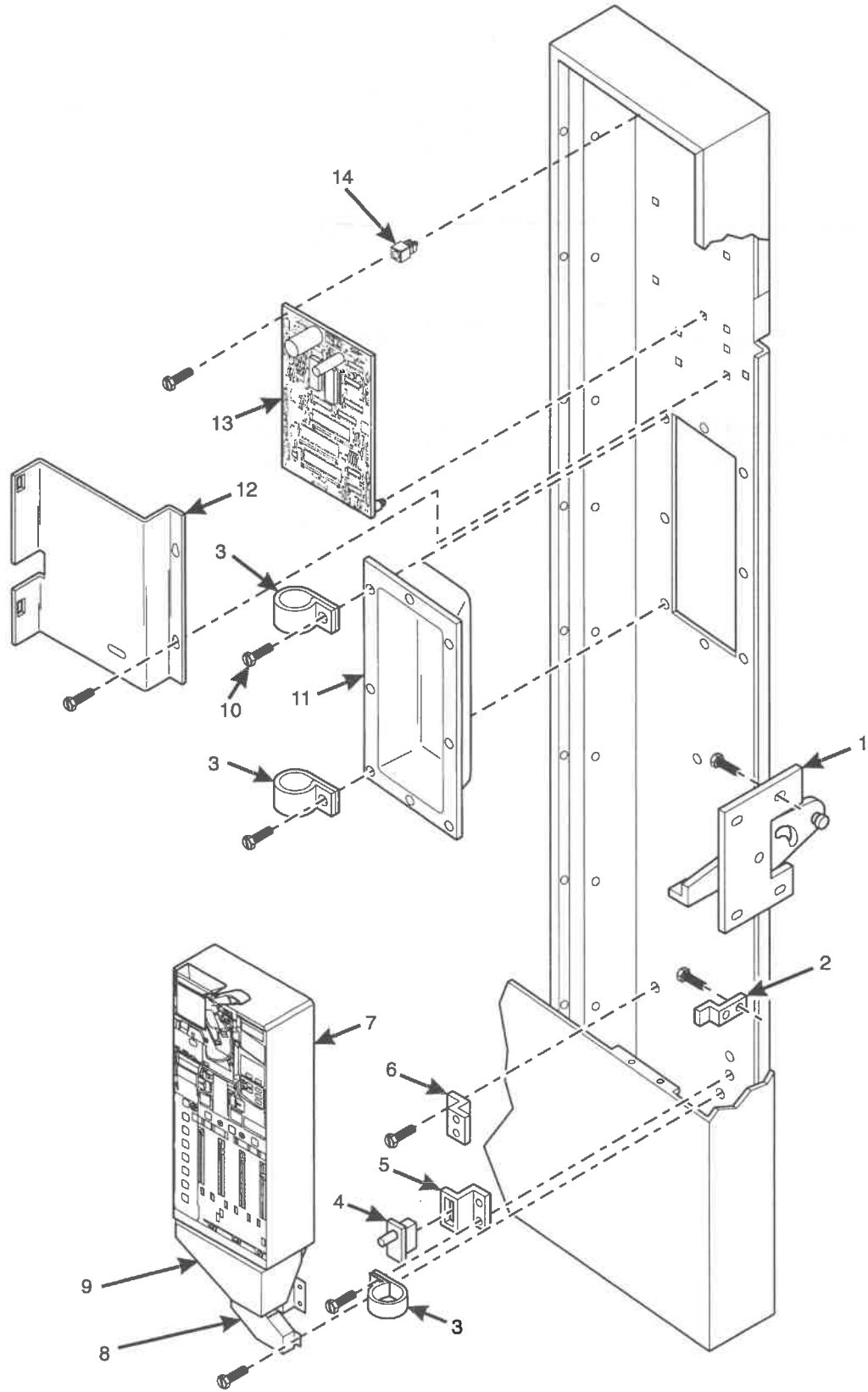


Figure 13. Monetary Compartment



# Shoppertron Parts Manual

TABLE 13. MONETARY COMPARTMENT

INDEX	PART NUMBER	DESCRIPTION	QTY.
1	4302039X	LATCH/PLATE ASSEMBLY (SEE FIGURE 13A FOR DETAILS)	2
2	4302055	BAR - DOOR PANEL LATCH	3
3	1411142	WIRE CLAMP .750	3
4	6111041	SWITCH - SERVICE LIGHT 1DM2	1
5	4302088	BRACKET - MONETARY INTERLOCK	1
6	4302049	BRACKET - CHUTE MOUNTING	1
7	-	COIN MECHANISM	OPT.
8	4302090	CHUTE - CASH BOX	1
9	1451334	CHUTE - COIN RETURN	1
10	-	SCREW	-
11	4302032	HOUSING - VALIDATOR	1
12	4315007	COVER - INTERFACE PCB	1
13	<del>4316006</del>	<del>MAIN CONTRL PCB WITH EPROM</del> 998 9700	1
14	1571034	STANDOFF - PCB - 3/8 SCREW MOUNT	1

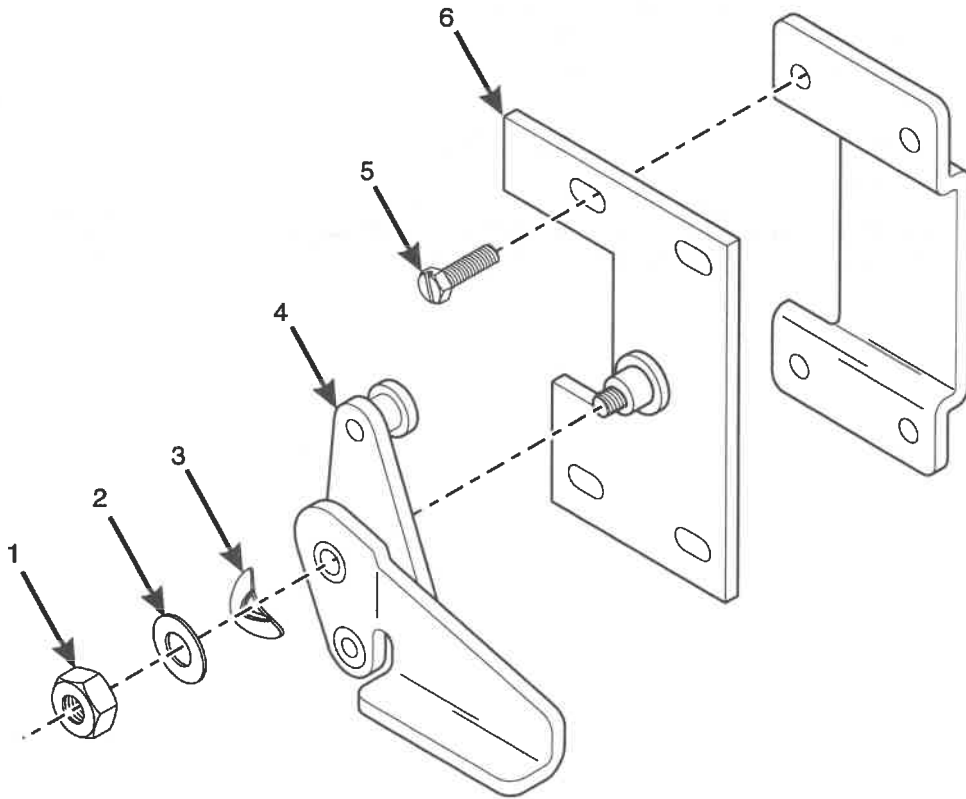


Figure 13A. Monetary Compartment Latch and Plate Assembly



# Shoppertron Parts Manual

TABLE 13A. MONETARY COMPARTMENT LATCH AND PLATE ASSEMBLY

INDEX	PART NUMBER	DESCRIPTION	QTY.
1	9900207	NUT #10-32 SELF-LOCKING	1
2	6138181	WASHER PLATE	1
3	1141057	SPRING WASHER .750 X.395 X.0	1
4	4302040	LATCH ASSEMBLY - CABINET	1
5	-		
6	4302050	PLATE ASSEMBLY - CABINET LATCH MOUNTING	1



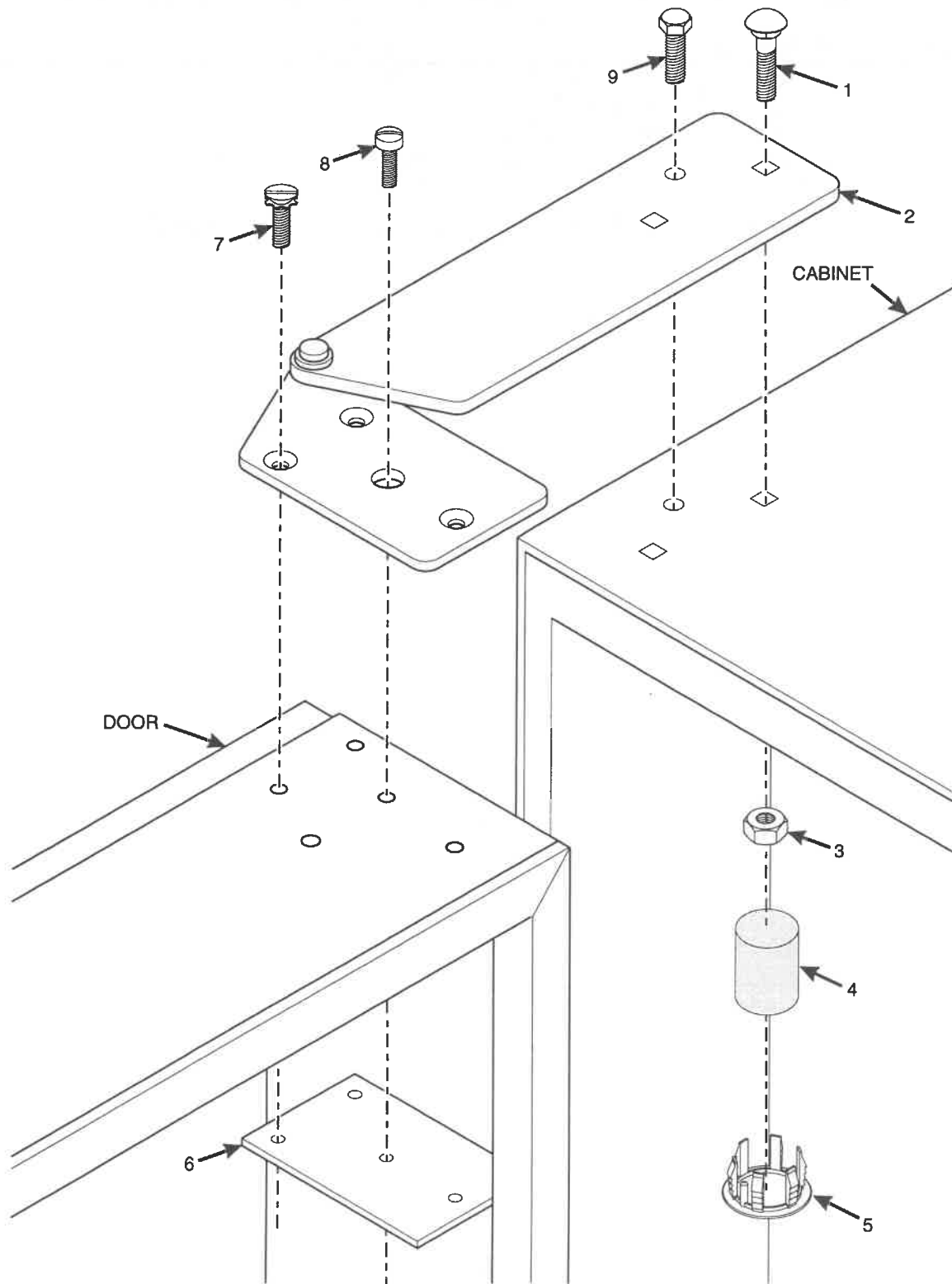


Figure 14. Upper Hinge Assembly



# Shoppertron Parts Manual

TABLE 14. UPPER HINGE ASSEMBLY

INDEX	PART NUMBER	DESCRIPTION	QTY.
1	1171021	5/16 - 18X3/4 CARRIAGE BOLT ZP	2
2	4312006	HINGE ASSEMBLY - DOOR - UPPER	1
3	1171022	5/16-18 KEPS CON/SER WASH	2
4	4301368	INSULATION - 1.00 DIAMETER X 1.62	2
5	4311096	PLUG - FOAMING HOLE	2
6	4302037	NUT PLATE - UPPER HINGE	1
7	1472262	SCREW - #1/4-20 X .75 FH. W/SEMS	3
8	5264629	09126026 SCREW - LOCK PLT.	1
9	1171052	5/16-18 X 3/4 HEX HD CAP ZP	1

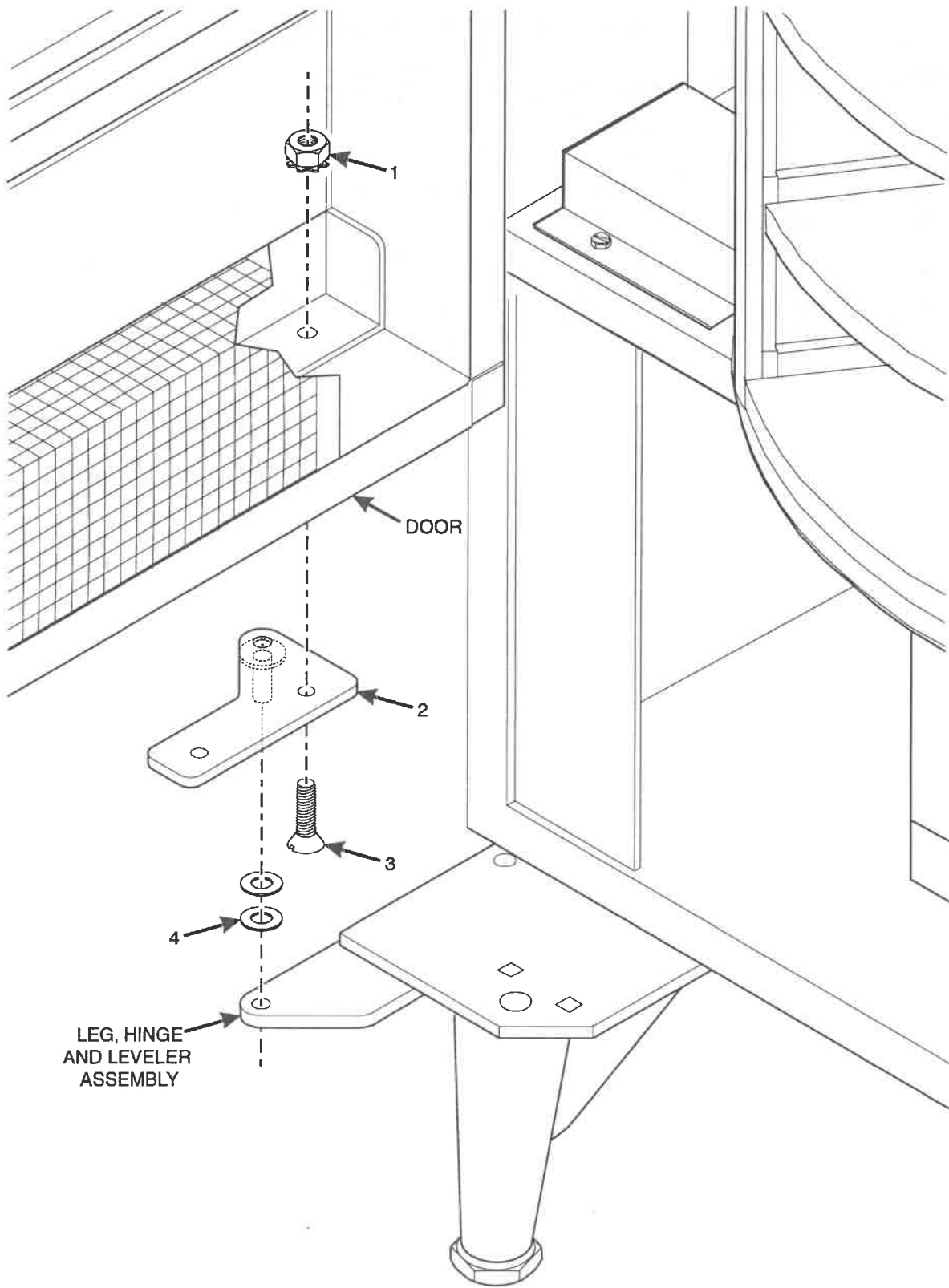


Figure 15. Lower Hinge Assembly



# Shoppertron Parts Manual

TABLE 15. LOWER HINGE ASSEMBLY

INDEX	PART NUMBER	DESCRIPTION	QTY.
1	1211105	1/4-20 KEPS NUT EXT LW ZP	2
2	2342092	HINGE ASSEMBLY - DOOR - LOWER	1
3	1472262	SCREW-#1/4-20 X .75 FH.W/SEMS	2
4	4242145	BEARING - THRUST - LOWER HINGE	2

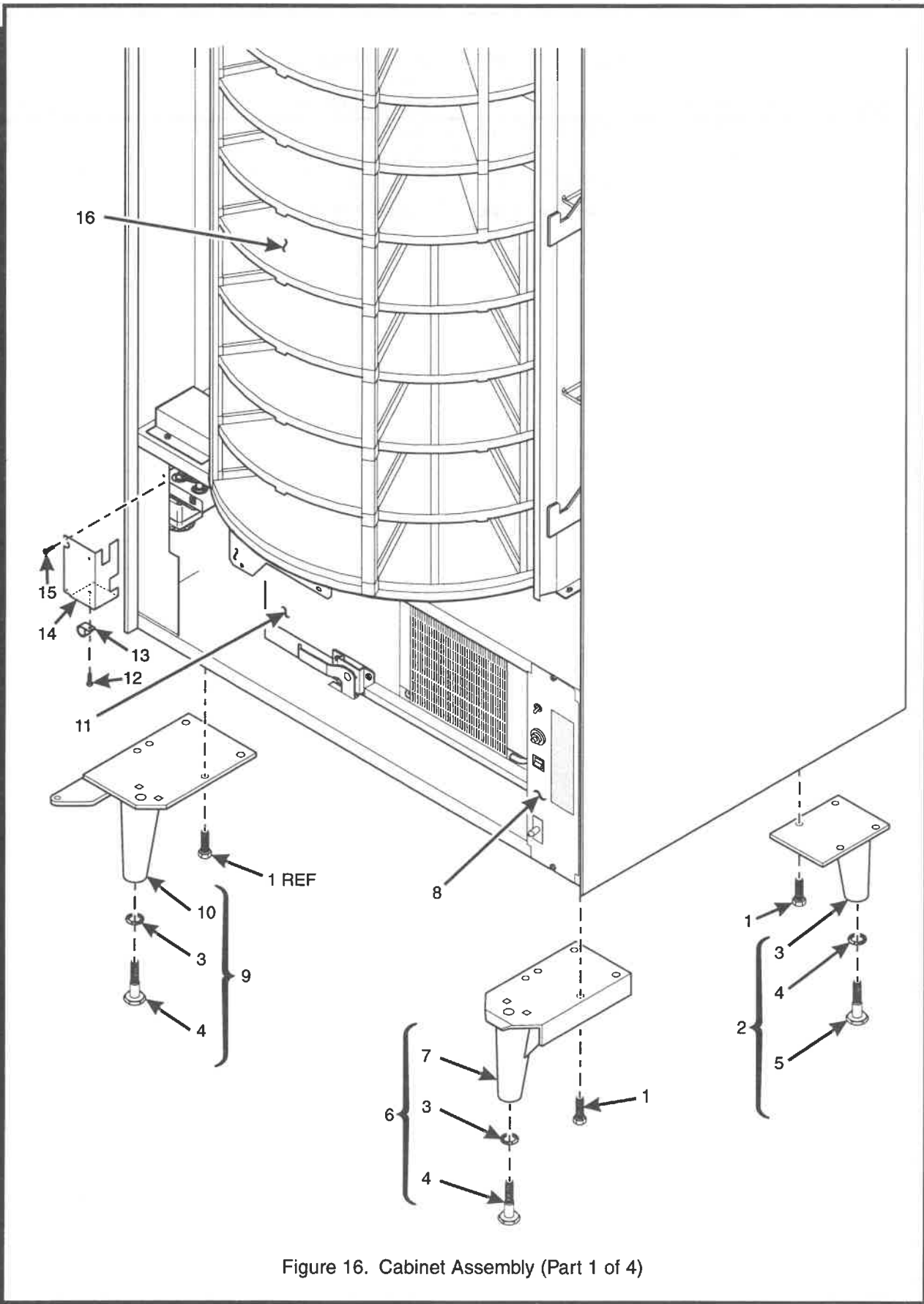


Figure 16. Cabinet Assembly (Part 1 of 4)



# Shoppertron Parts Manual

TABLE 16. CABINET ASSEMBLY (PART 1 OF 4)

INDEX	PART NUMBER	DESCRIPTION	QTY.
1	1451093	SCREW - .31-18 X 1.00 HEX HD.T/F	16
2	1171062	LEG & LEVELER ASSEMBLY - CABINET (INCLUDES INDEX NUMBERS 3 - 5)	2
3	4311068	LEG ASSEMBLY - CABINET - WELD	1
4	1471283	"O"RING - .49 ID X .10 DIA	1
5	1471098	LEVELER - CABINET	1
6	4301039	LEG & LEVELER ASSEMBLY - RIGHT FRONT (INCLUDES INDEX NUMBERS 4, 5, AND 7)	1
7	4301045	LEG ASSEMBLY - RIGHT FRONT	1
8	4311171	POWER PANEL ASSEMBLY (SEE FIGURE 21 FOR DETAILS)	1
9	4301038	LEG,HINGE & LEVELER ASSEMBLY (INCLUDES INDEX NUMBERS 4, 5, AND 10)	1
10	4301041	PLATE ASSEMBLY - LEG & HINGE	1
11	4314000	REFRIGERATION MODULE (SEE FIGURE 20 FOR DETAILS)	1
12	-	SCREW	-
13	4751060	RETAINER - HARNESS	1
14	4311164	COVER - DRIVE MOTOR	1
15	-	SCREW	-
16	4317001	DRUM ASSEMBLY - WHITE (SEE FIGURE 17 FOR DETAILS)	1
	4317008	DRUM ASSEMBLY - BLACK (SEE FIGURE 17 FOR DETAILS)	

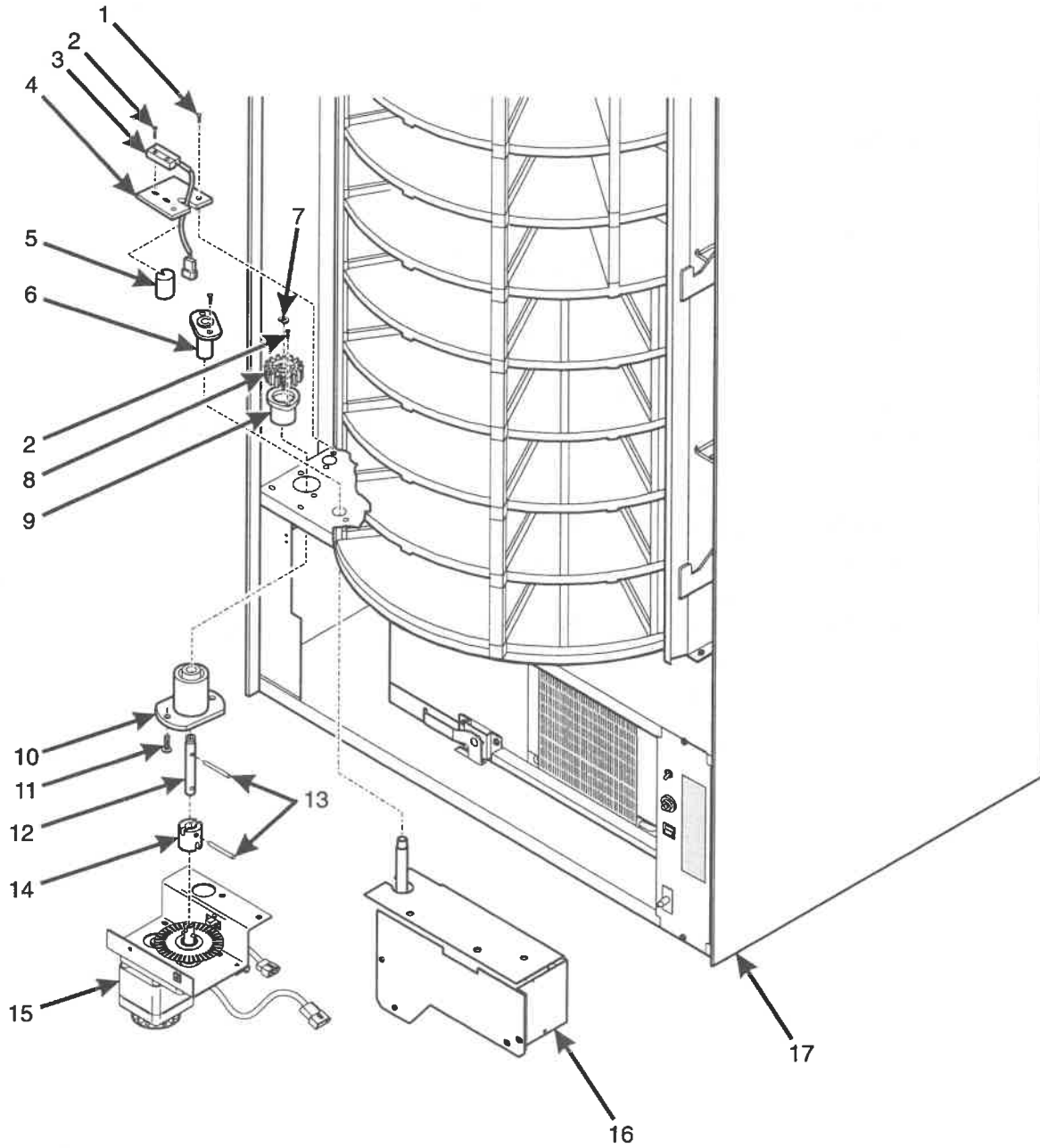


Figure 16. Cabinet Assembly (Part 2 of 4)



Mfr of  
home switch

# Shoppertron Parts Manual

TABLE 16. CABINET ASSEMBLY (PART 2 OF 4)

INDEX	PART NUMBER	DESCRIPTION	QTY.
1	-	SCREW	1
2	1212140	SCREW #4-40 X 1/4 RHS	2
3	4301403	SENSOR - PROXIMITY	1
4	4301351	PLATE - SENSOR	1
5	4301368	INSULATION - 1.00 DIA. X 1.62	1
6	4301204	BUSHING - STOP PIN	1
7	9900437	RETAINING RING REINF E TYP .375	1
8	4301396	DRIVE GEAR	1
9	4301205	HOUSING - BUSHING	1
10	4301206	BUSHING - DRIVE SHAFT	1
11	-	SCREW	1
12	4301395	SHAFT - DRIVE	1
13	3127034	ROLL PIN 1/8 X 13/16	2
14	4301394	DRIVE COUPLING	1
15	4311125	DRIVE MOTOR ASSEMBLY (SEE FIGURE 18 FOR DETAILS)	1
16	-	STOP PIN / SOLENOID ASSEMBLY (SEE FIGURE 19 FOR DETAILS)	1
17	4311005	CABINET ASSEMBLY - WELD	1

D/S + Bushing  
4301398



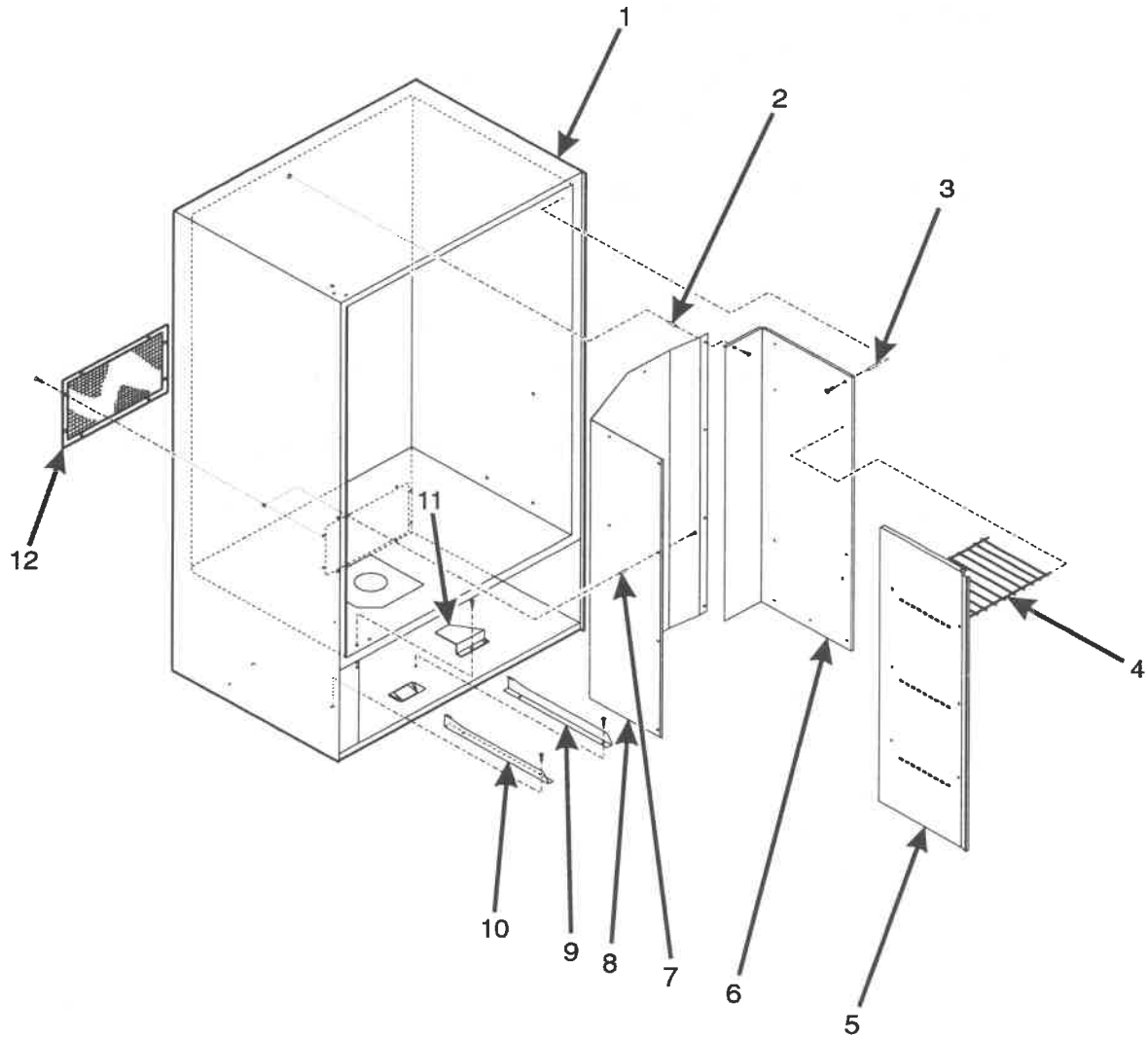


Figure 16. Cabinet Assembly (Part 3 of 4)



# Shoppertron Parts Manual

TABLE 16. CABINET ASSEMBLY (PART 3 OF 4)

INDEX	PART NUMBER	DESCRIPTION	QTY.
1	4311002	INSULATED CABINET ASSEMBLY - WHITE	1
	4311161	INSULATED CABINET ASSEMBLY - BLACK	
2	4311058	GROMMET - DUCT - RETURN AIR - LEFT	4
3	4241160	SPACER - LINER	7
4	4301254	SHELF - STORAGE	3
5	4311021	WALL - STORAGE - WHITE	1
	4311162	WALL - STORAGE - BLACK	
6	4311022	DUCT - RETURN AIR - RIGHT - WHITE	1
	4311156	DUCT - RETURN AIR - RIGHT - BLACK	
7	4301230	SPACER - .500 LONG X 0.50 DIAMETER	8
8	4311023	DUCT - RETURN AIR - LEFT - WHITE	1
	4311157	DUCT - RETURN AIR - LEFT - BLACK	
9	4311052	RAIL - RIGHT HAND - REFRIGERATION UNIT	1
10	4311053	RAIL - LEFT HAND - REFRIGERATION UNIT	1
11	4301235	COVER - TURRET GEAR (WHITE)	1
	4301151	COVER - TURRET GEAR (BLACK)	
12	4311042	SCREEN ASSEMBLY - REAR	1
13	-	SCREW	8

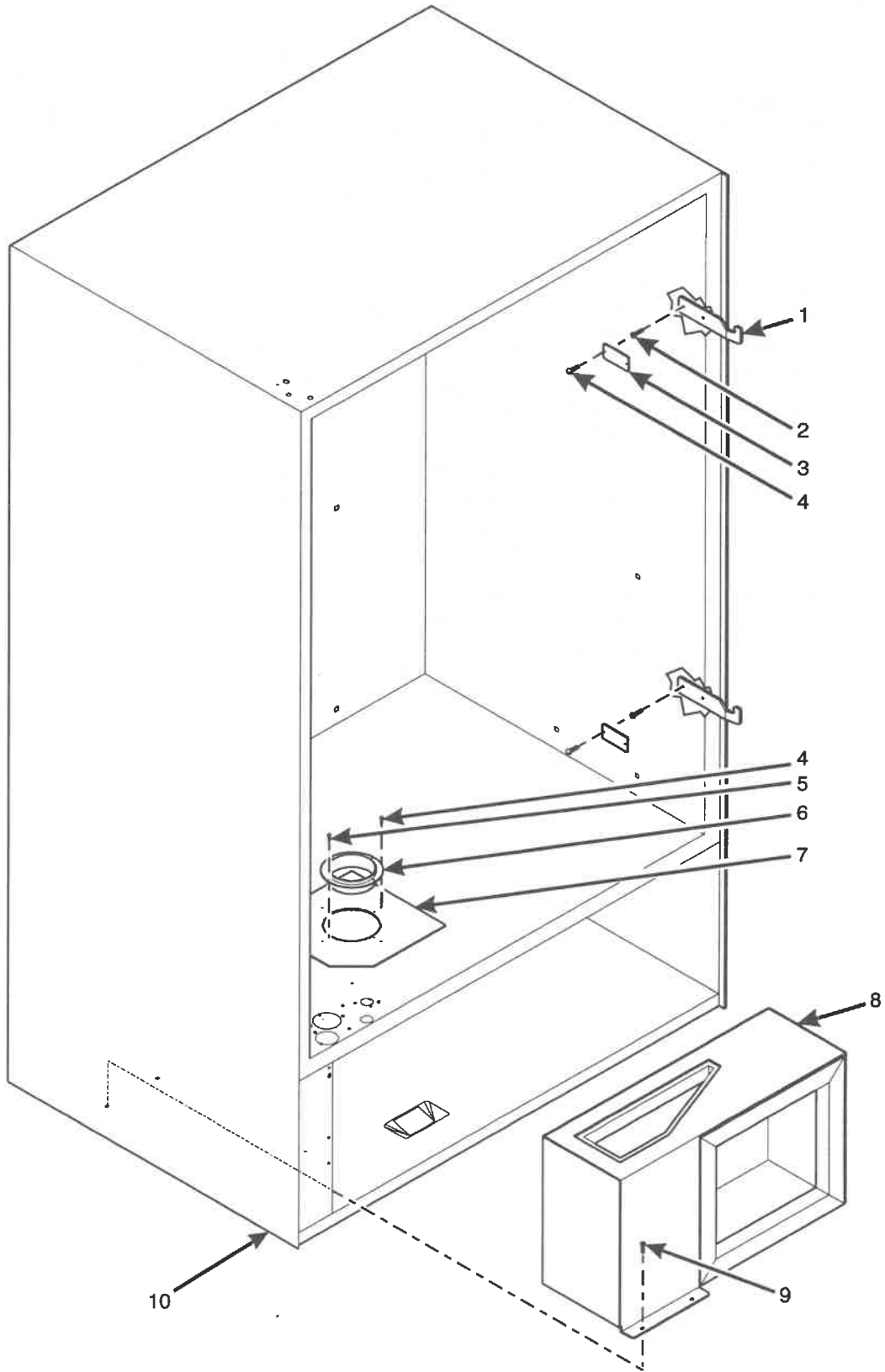


Figure 16. Cabinet Assembly (Part 4 of 4)



# Shoppertron Parts Manual

TABLE 16. CABINET ASSEMBLY (PART 4 OF 4)

INDEX	PART NUMBER	DESCRIPTION	QTY.
1	4301049	LOCK ARM - CABINET	2
2	1141043	10-32X1/2 ACORN HWHO-WIBS	4
3	4301216	COVER - CABINET LOCK BAR (WHITE)	2
	4301143	COVER - CABINET LOCK BAR (BLACK)	
4	4042512	SCREW #8-18 1/2 PHS - TAPPING	8
5	2222714	SCREW - SHEET METAL #8 X 7/8 PHS	4
6	4311054	BEARING - TURRET	1
7	4317004	PLATE - ROLLER - CABINET	1
8	4311130	DUCT ASSEMBLY - RETURN AIR	1
9	9900106	SCREW - #8-32 X 3/8 ACORN HEX HD S/TA	-
10	4311002	CABINET ASSEMBLY - INSULATED - WHITE	1
	4311161	CABINET ASSEMBLY - INSULATED - BLACK	

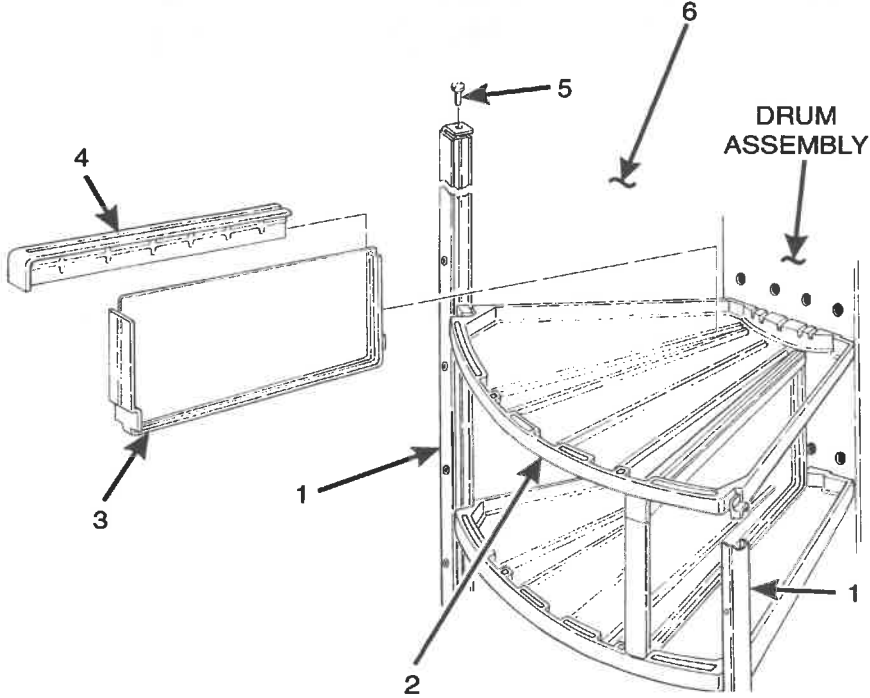


Figure 17. Drum Assembly (Part 1 of 2)



Carson  
plastic

# Shoppertron Parts Manual

TABLE 17. DRUM ASSEMBLY (PART 1 OF 2)

INDEX	PART NUMBER	DESCRIPTION	QTY.
1	4307026	RAIL - TURRET	6
2	4307034	SHELF - PRODUCT	54
3	4307035	DIVIDER - SHELF	84
4	4307036	RETAINER - SHELF	84
5	2222655	6-32 X 3/8 PHS TYPE 23 S/TAP ZINC	24
6	4307028	WALL - SHELF - WHITE (WHITE DRUM ONLY)	3
	4307009	WALL - SHELF - CLEAR (WHITE DRUM ONLY)	3
	4307046	WALL - SHELF (SMOKED) (BLACK DRUM ONLY)	6
-	4307027	RETAINER - RAIL (NOT SHOWN)	6

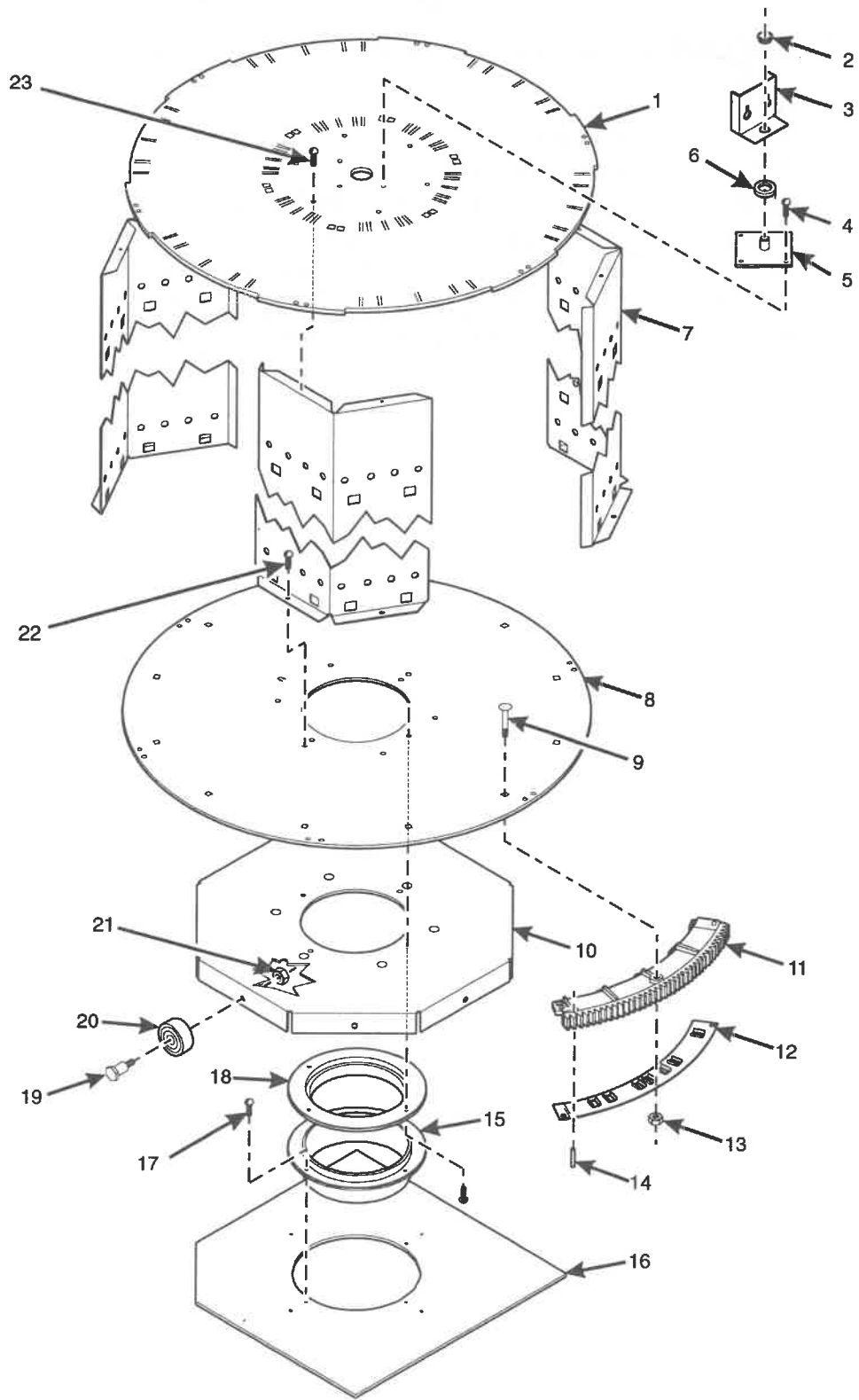


Figure 17. Drum Assembly (Part 2 of 2)



*Magnet*

# Shoppertron Parts Manual

TABLE 17. DRUM ASSEMBLY (PART 2 OF 2)

INDEX	PART NUMBER	DESCRIPTION	QTY.
1	4307038	TURRET - TOP - WHITE	1
	4307045	TOP-TURRET-BLACK	
2	4301221	BEARING - NYLINER - 500I.D.#8L2 - FFTHOMSON #8L2 - FF	1
3	4311163	ANGLE - BUSHING	1
4	4047141	SCREW #8 - 32X3/8 PHS W/LW T/F	4
5	4307032	PIN & PLATE ASSEMBLY	1
6	5277437	SPACER - NYLON	1
7	4317007	PANEL - CENTER - TURRET - WHITE	3
	4317005	PANEL - CENTER - TURRET - BLACK	
8	4317006	BASE - TURRET - WHITE	1
	4317002	BASE - TURRET - BLACK	
9	4307024	CARRIAGE BOLT - #10 - 24 X 1.00	12
10	4317003	PLATE - MOUNTING - ROLLER	1
11	4307017	GEAR SEGMENT - TURRET	6
12	4307018	PLATE - STOP	6
13	4307029	NUT - #10 - 24 SELF - LOCKING	12
14	4301353	MAGNET - MAGNETIZED	1
15	4311054	BEARING - TURRET	1
16	4317004	PLATE - ROLLER - CABINET	1
17	-	SCREW	-
18	4311055	LOCATOR - TURRET	1
19	4241264	STUD ROLLER TRAY	8
20	4307015	ROLLER - TURRET	8
21	9900184	NUT 1/4 - 20 SELF-LOCKING	8
22	-	SCREW	-
23	-	SCREW	-



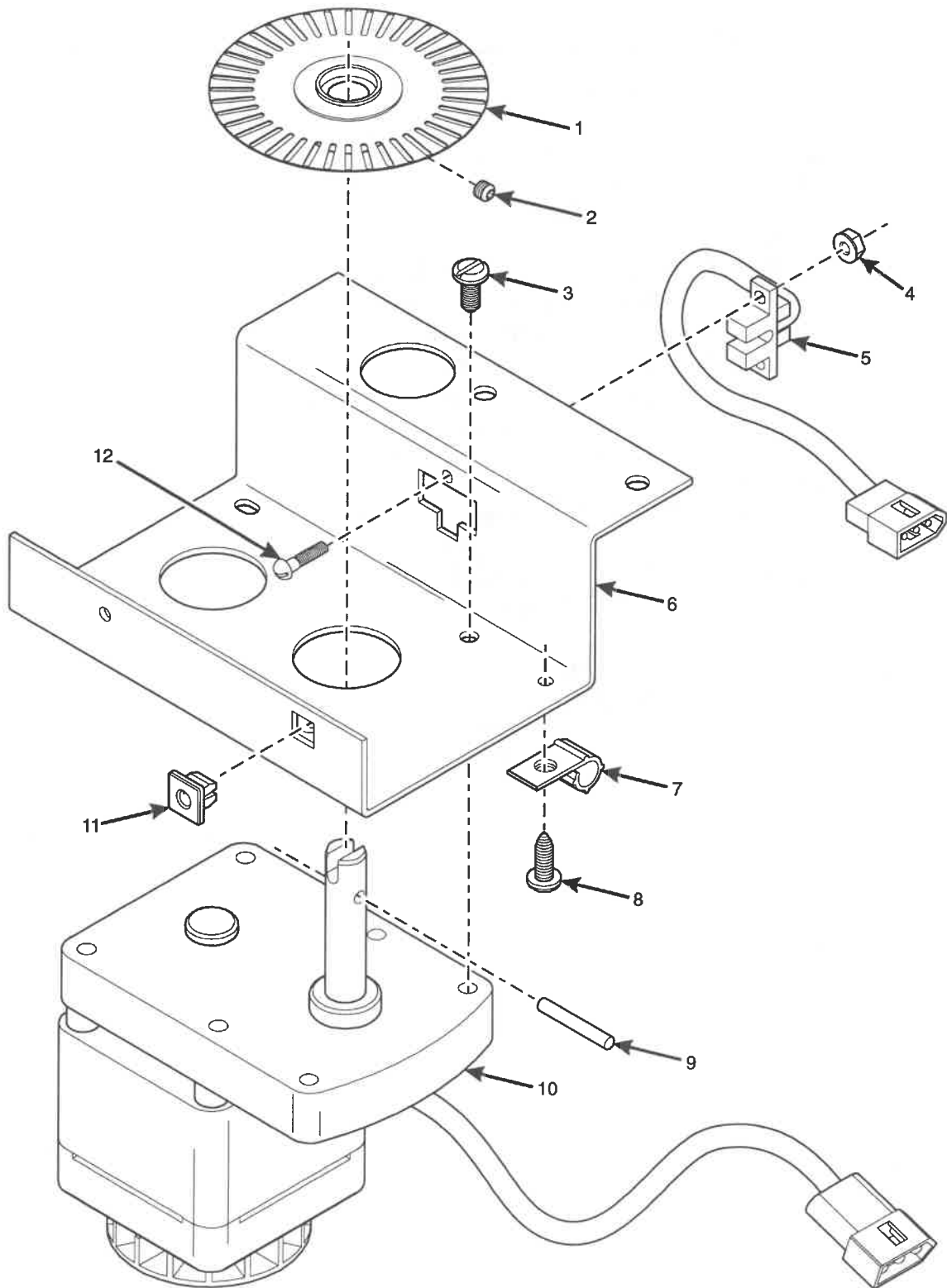


Figure 18. Drive Motor Assembly



*break down  
drive mtr*

# Shoppertron Parts Manual

TABLE 18. DRIVE MOTOR ASSEMBLY

INDEX	PART NUMBER	DESCRIPTION	QTY.
-	4311125	DRIVE MOTOR ASSEMBLY	1
1	4301525	WHEEL ASSEMBLY - OPTICAL SWITCH	1
2	4301380	SET SCREW - #8-32 X 3/16 - COVE PT	1
3	9900118	SCREW #8-32 X 3/8 PHS	4
4	1217159	4-40 KEPS W/EXT L/WAS H ZP	1
5	4319012	MOTION DETECTOR ASSEMBLY	1
6	4311129	BRACKET - MOTOR	1
7	1452139	RETAINER - HARNESS	1
8	4042512	SCREW #8-18 1/2 PHS - TAPPING	1
9	4301375	GROOV - PIN - .125 DIAMETER X .875 LONG	1
10	4311124	MOTOR - REVERSIBLE	1
11	4241162	NUT - SPACER - #8-.062	1
12	6106341	SCREW #4-40 X 3/8 RHS	1

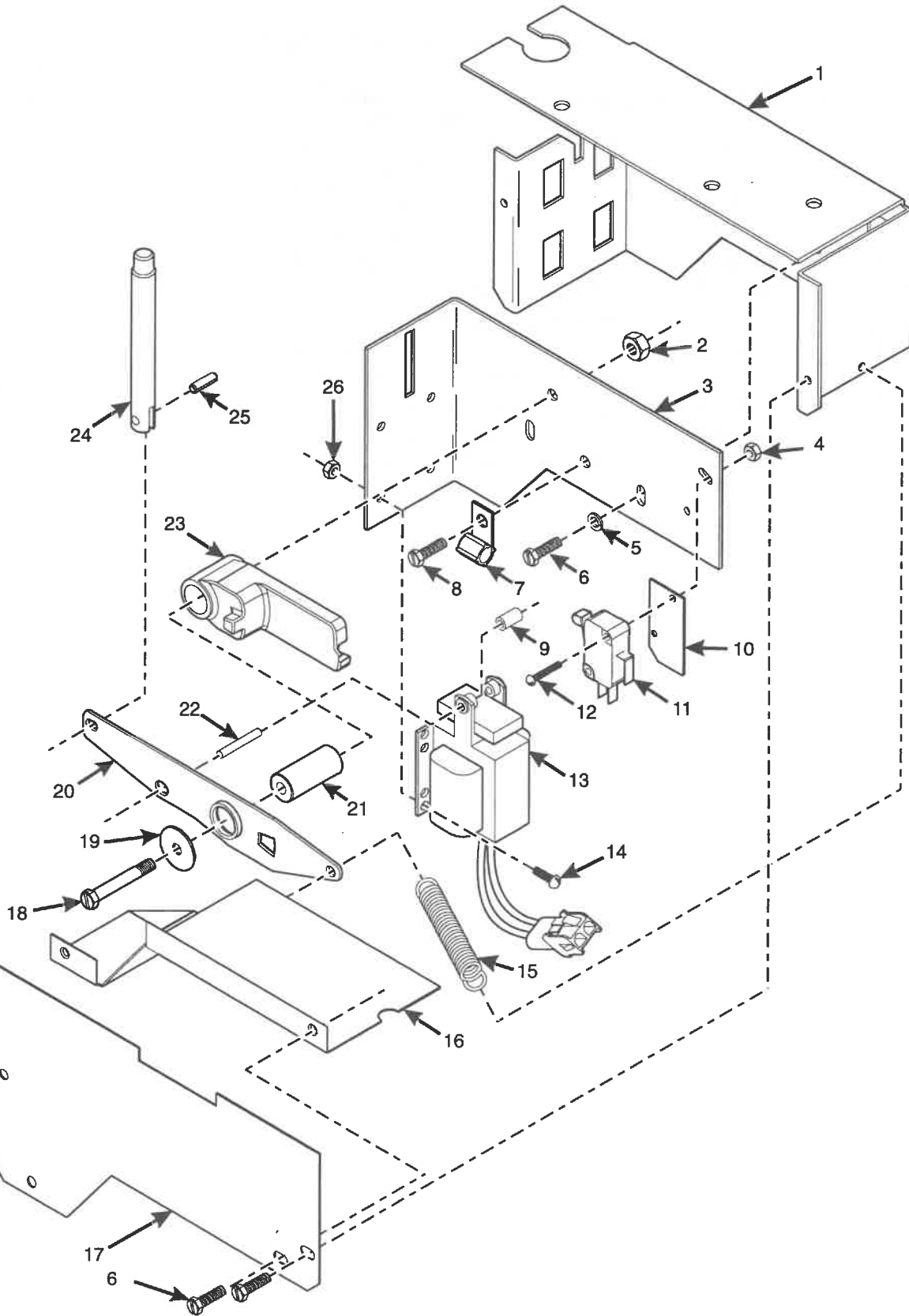


Figure 19. Stop Pin/Solenoid Assembly



*break down  
stop pin Assy*

## Shoppertron Parts Manual

TABLE 19. STOP PIN / SOLENOID ASSEMBLY

INDEX	PART NUMBER	DESCRIPTION	QTY.
1	4311081	BRACKET - STOP PIN ASSEMBLY	1
2	9900164	NUT #10-32 KEPS ZINC PLATE	1
3	4311080	BRACKET - SOLENOID & SWITCH MTG.	1
4	1217159	4-40 KEPS W/EXT LWAS H ZP	2
5	9900032	LOCKWASHER #8 SPLIT TYPE ZINCPLATE	2
6	9900106	SCREW #8-32 X 3/8 ACORN HEX HD S/TA	6
7	2342315	CLIP - WIRE HARNESS	1
8	4245186	SCREW #8-32 X 1/4 PHS T/F	1
9	4301364	BUSHING - RETAINER	1
10	6112042	INSULATOR - SWITCH	1
11	2304109	SWITCH ROLLER LEVER V3L - 139 - D8	1
12	1217160	4 - 40X5/8 RHS M SCREW Z/Y	2
13	4311114	SOLENOID ASSEMBLY - 120V	1
14	9900107	SCREW #6-32 X 5/16 RHS W/LKW	4
15	4311076	SPRING - EXTENSION	1
16	4311079	PLATE - COVER - BOTTOM	1
17	4311078	PLATE - COVER	1
18	6104411	SCREW #10-32 X 1-1/2 PHS W/LWSTAIN STL	1
19	6138181	WASHER PLATE	1
20	4311077	LEVER - ACTUATOR - SWITCH DELAY & STOP PIN	1
21	4311075	BUSHING	1
22	4301375	GROOV - PIN - .125 DIA.X .875 LG.	1
23	4311082	CAM - SWITCH DELAY	1
24	4311074	PIN - STOP	1
25	6104216	ROLL PIN	1
26	9900078	NUT #6-32 KEPS ZINC PLATE	4

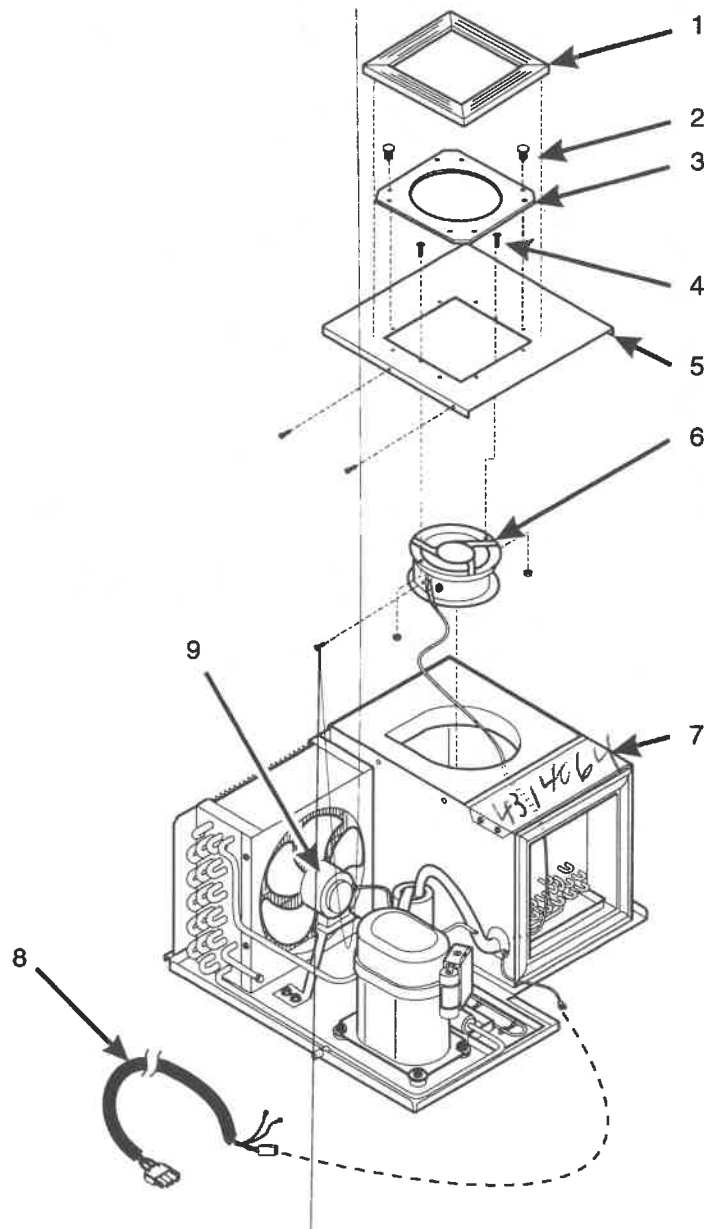


Figure 20. Refrigeration Module



# Shoppertron Parts Manual

TABLE 20. REFRIGERATION MODULE

INDEX	PART NUMBER	DESCRIPTION	QTY.
1	4314017	GASKET - EVAPORATOR FAN	1
2	2342044	CLIP - CHRISTMAS TREE	8
3	4314062	SPACER - EVAPORATOR FAN	1
4	3104124	SCREW #8-32 X 5/8 PHS SS	-
5	4314061	COVER - EVAPORATOR BOX	1
6	4314014	FAN - EVAPORATOR - AXIAL	1
7	4314020	GASKET - EVAPORATOR BOX - REFRIGERATION UNIT	1
8	4314046	HARNESS - COMPRESSOR	1
9	4304231	MOTOR - CONDENSER - 16 WATT	1
-	4111101	DOOR LATCH ASSEMBLY (NOT SHOWN)	1

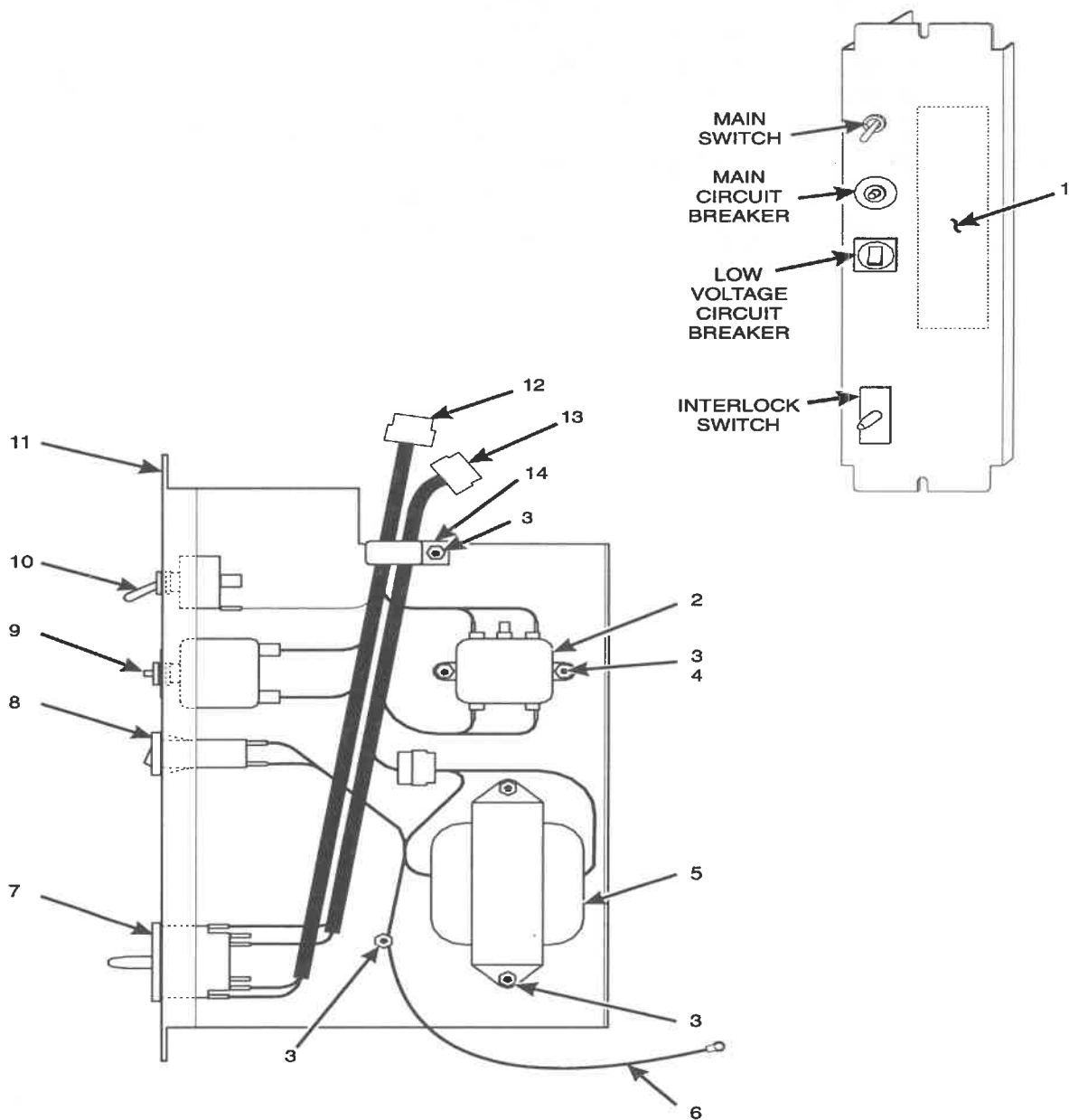


Figure 21. Power Panel Assembly

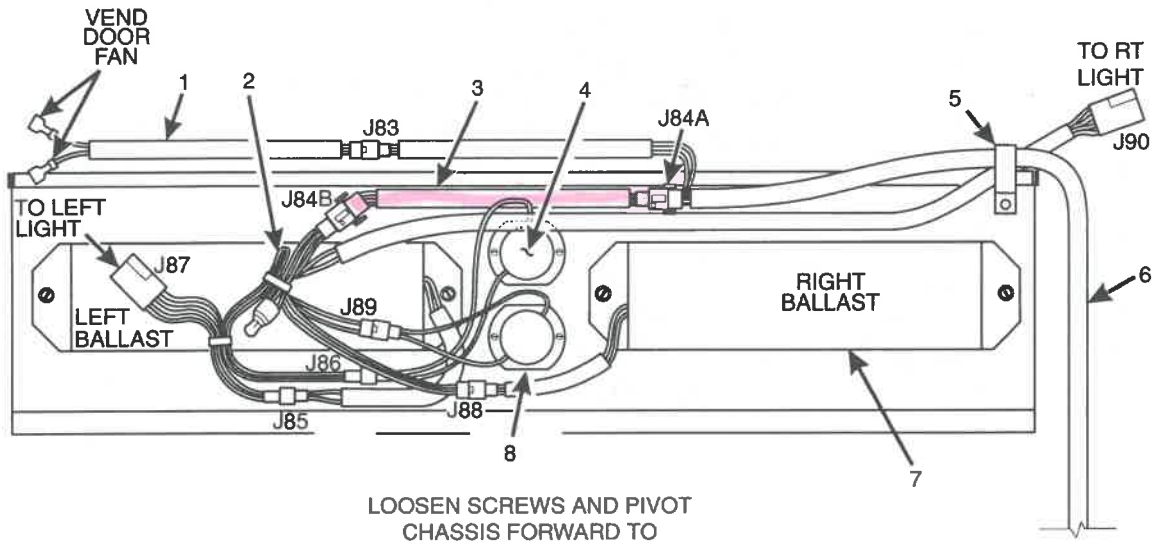


# Shoppertron Parts Manual

TABLE 21. POWER PANEL ASSEMBLY

INDEX	PART NUMBER	DESCRIPTION	QTY.
-	4311171	POWER PANEL ASSEMBLY - DOMESTIC	-
1	9989369	LABEL - N.V. - BLANK	1
2	9989100	INTERFERENCE FILTER	1
3	9900081	NUT - #8-32 KEPS ZINC PLATE	6
4	1211110	8-32 X 1/4 RHS MACH SCREW ZP	2
5	9989042	TRANSFORMER - 115V/230V PRIMARY, 24V SECONDARY	1
6	9984165	JUMPER - GROUND WIRE	1
7	1211141	SWITCH 2DM4	1
8	9989336	CIRCUIT BREAKER - 3 AMP	1
9	9989673	CIRCUIT BREAKER - 20 AMP	1
10	9984629	SWITCH - TOGGLE - DPST - 20 AMP	1
11	4311168	CONTROL PANEL ASSEMBLY - POWER	1





LOOSEN SCREWS AND PIVOT CHASSIS FORWARD TO ACCESS J83 AND J84

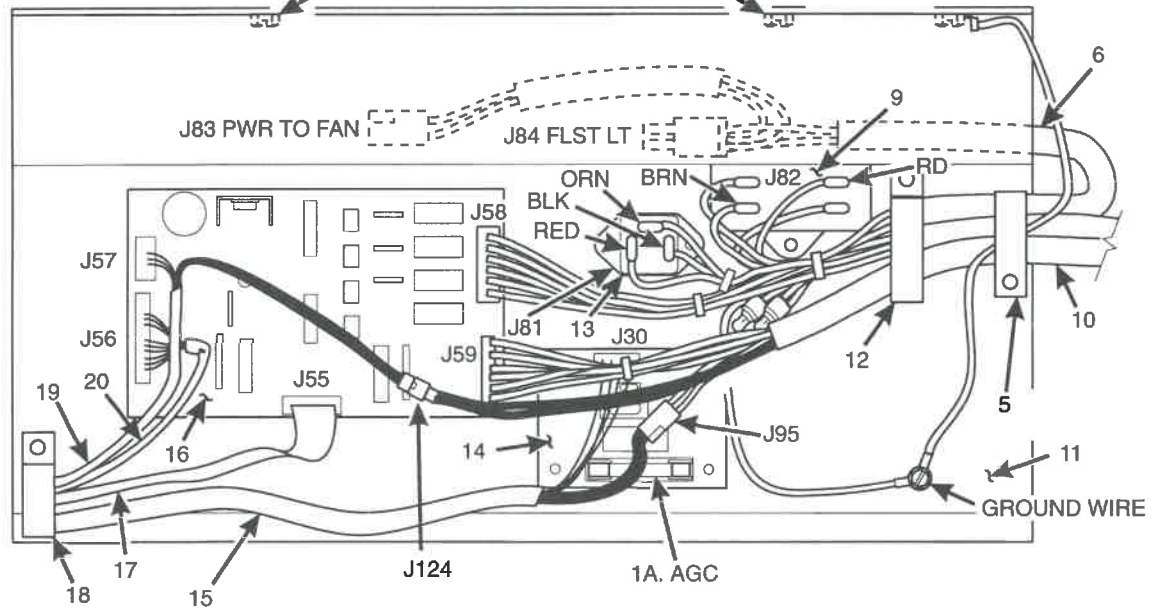


Figure 22. Cabling (Part 1 of 4)



CND Bd  
TRIAC  
a coin mech

# Shoppertron Parts Manual

TABLE 22. CABLING (PART 1 OF 4)

INDEX	PART NUMBER	DESCRIPTION	QTY.
1	9989637	JUMPER - BLOWER	1
2	4319002	HARNESS - POWER TO FLUORESCENT LIGHT	1
3	1451124	SUPPRESSION NETWORK ASSEMBLY	1
4	4031150	FLUORESCENT LAMP STARTER FS-4	2
5	4751060	RETAINER - HARNESS	3
6	4319011	HARNESS - CABINET - AC	1
7	4241135	BALLAST ASSEMBLY CENTER LIGHT	2
8	4319008	STARTER SOCKET ASSEMBLY	2
9	9988210	CAPACITOR - MOTOR RUN - 10UF	1
10	4319005	HARNESS - CABINET - DC	1
11	4312017	CHASSIS - CONTROL	1
12	4305043	HARNESS CLIP - 1.00	1
13	9983778	TRIAC - 35A - 600V	1
14	9989659	PCB ASSEMBLY - DUMB MECH POWER SUPPLY	1
15	4319010	HARNESS - POWER TO COIN HANDLING	1
16	4316009	PCB ASSEMBLY - SHOPPER INTERFACE	1
17	4319004	CABLE ASSEMBLY - 16 CONDUCTOR	1
18	6231035	HARNESS CLIP - .750	1
19	4319009	HARNESS - DC POWER & SWITCH	1
20	4319014	HARNESS - MECHANISM TO BOARD	1

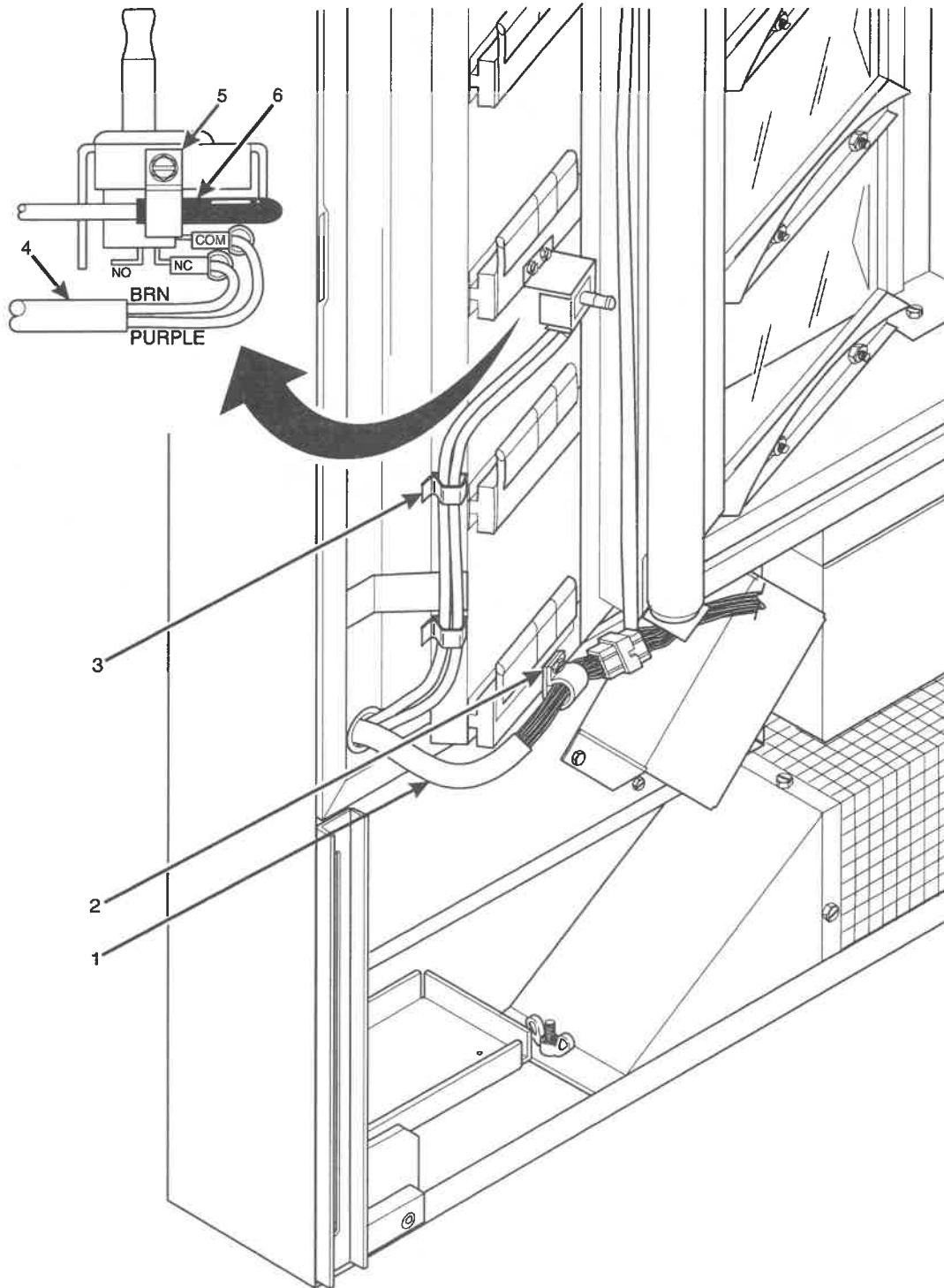


Figure 22. Cabling (Part 2 of 4)



# Shoppertron Parts Manual

TABLE 22. CABLING (PART 2 OF 4)

INDEX	PART NUMBER	DESCRIPTION	QTY.
1	4319014	HARNESS - MECHANISM TO BOARD	1
2	2302227	CABLE CLAMP - RICHCO #N6	1
3	1212159	WIRE CLIP	1
4	4319009	HARNESS - DC POWER & SWITCH	1
5	2221049	WIRE CLAMP - .302 DIAMETER	1
6	4119013	PROBE - TEMPERATURE SENSOR	1

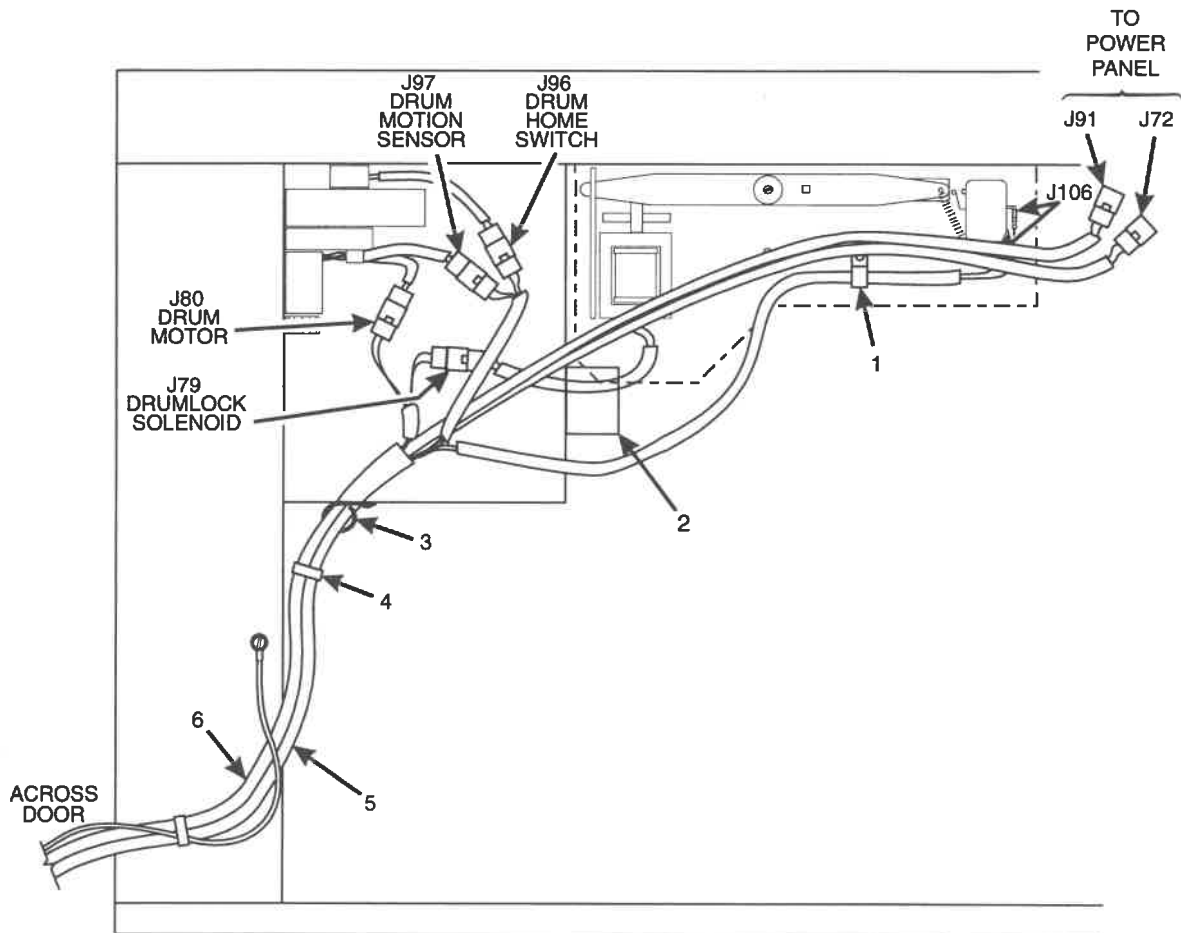


Figure 22. Cabling (Part 3 of 4)



# Shoppertron Parts Manual

TABLE 22. CABLING (PART 3 OF 4)

INDEX	PART NUMBER	DESCRIPTION	QTY.
1	2342315	CLIP - WIRE HARNESS	1
2	4741018	CABLE CLIP - REFRESHMENT CENTER 2	1
3	4751060	RETAINER - HARNESS	1
4	4042121	WIRE TIE - #PLT1M-M20 - SELF CLINCHING - SMALL	1
5	4319005	HARNESS - CABINET - DC	1
6	4319011	HARNESS - CABINET - AC	1

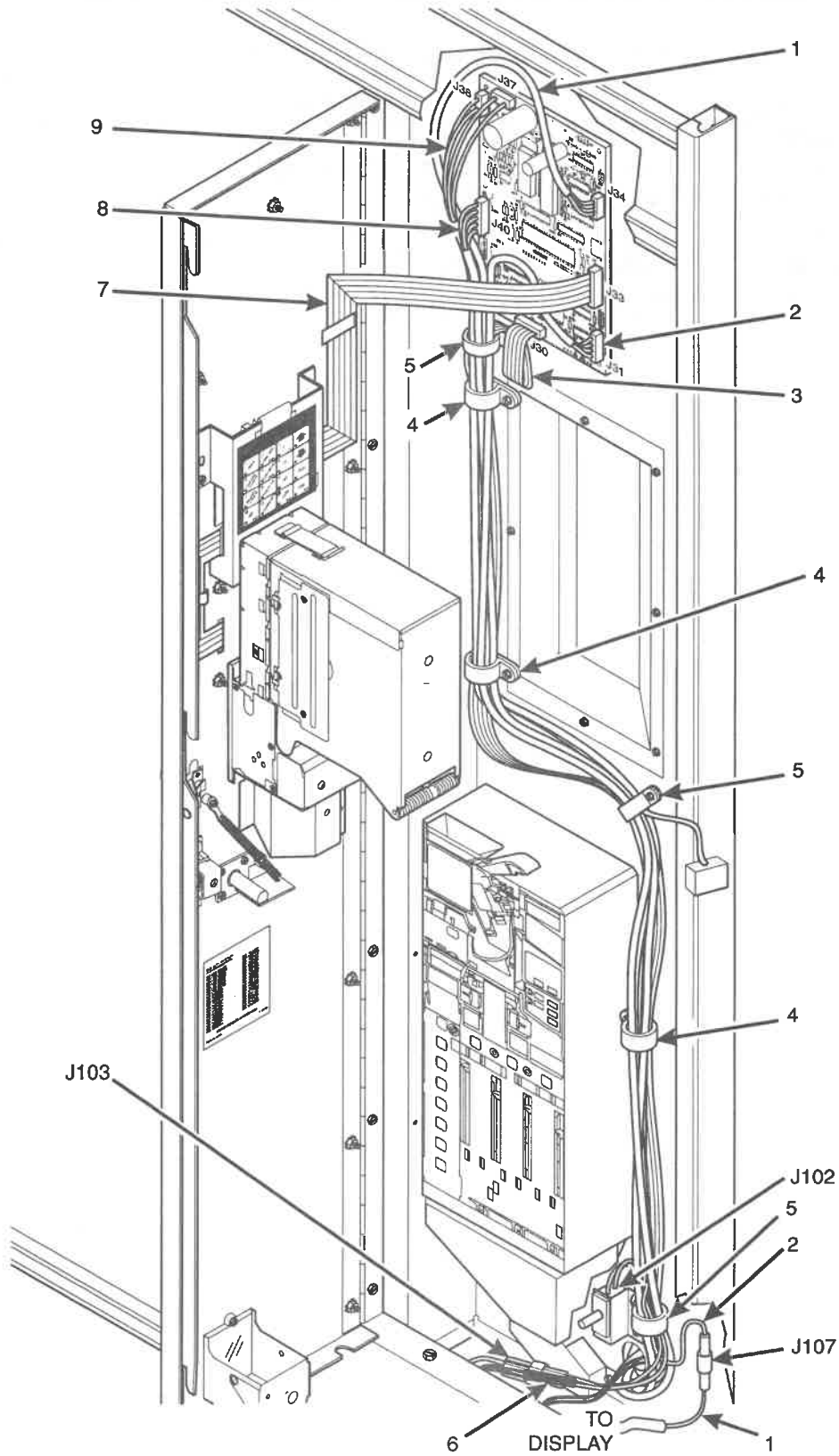


Figure 22. Cabling (Part 4 of 4)



# Shoppertron Parts Manual

TABLE 22. CABLING (PART 4 OF 4)

INDEX	PART NUMBER	DESCRIPTION	QTY.
1	4319007	HARNESS - CONTROLLER TO VERTICAL DISPLAY	1
2	4319009	HARNESS - DC POWER & SWITCH	1
3	4319004	CABLE ASSEMBLY - 16 CONDUCTOR	1
4	4305043	HARNESS CLIP - 1.00	1
5	1411142	WIRE CLAMP .750	1
6	4119013	PROBE - TEMPERATURE SENSOR	1
7	6339017	FLAT CABLE - DISPLAY TO CONTROLLER	1
8	1579003	HARNESS - COIN MECHANISM	1
9	4319009	HARNESS - DC POWER & SWITCH	1





**THIS PAGE INTENTIONALLY LEFT BLANK.**



# Shoppertron Parts Manual

## PART NUMBER INDEX

Part Number	Page	Part Number	Page
1122521 .....	19	1571035 .....	23
1141043 .....	55	1572102 .....	9
1141057 .....	43	1572104 .....	9
1171021 .....	45	1572107 .....	9
1171022 .....	45	1572110 .....	9
1171052 .....	45	1572113 .....	9
1171062 .....	49	1572116 .....	9
1172190 .....	37	1572119 .....	9
1172191 .....	37	1572124 .....	9
1211105 .....	47	1572127 .....	9
1211110 .....	67	1572128 .....	7
1211141 .....	67	1572131 .....	9
1212117 .....	33	1572134 .....	9
1212140 .....	51	1572137 .....	9
1212159 .....	71	1572142 .....	9
1217159 .....	61, 63	1572145 .....	9
1217160 .....	31, 63	1572150 .....	9
1272039 .....	33	1572153 .....	9
1272044 .....	33	1572158 .....	9
1272131 .....	33	1572161 .....	9
1272132 .....	33	1572164 .....	9
1302289 .....	37	1579003 .....	75
1302290 .....	37	2222110 .....	29
1302291 .....	37	2222655 .....	57
1302324 .....	37	2222714 .....	55
1302326 .....	37	2271408 .....	11
1302407 .....	6	2272052 .....	33, 37
1302478 .....	6	2302053 .....	33
1302479 .....	3	2302227 .....	31, 71
1402014 .....	35	2304109 .....	63
1411142 .....	75	2342044 .....	65
1451093 .....	49	2342092 .....	47
1451124 .....	69	2342315 .....	27, 63, 73
1451334 .....	41	3104124 .....	65
1452062 .....	7	3112163 .....	37
1452076 .....	25, 27	3112164 .....	37
1452116 .....	7	3127034 .....	51
1452117 .....	7	3152447 .....	7
1452118 .....	7	3152573 .....	7
1452121 .....	7	3157060 .....	25, 27, 31
1452139 .....	25, 61, 71	4031149 .....	25, 27
1452183 .....	7	4031150 .....	23, 69
1452191 .....	35	4041057 .....	19
1452225 .....	7	4042121 .....	73
1471098 .....	49	4042512 .....	55, 61
1471283 .....	49	4047141 .....	59
1472223 .....	33	4076510 .....	31
1472262 .....	45, 47	4076515 .....	35
1475099 .....	39	4111101 .....	65
1475119 .....	27	4119013 .....	71, 75
1571034 .....	23, 41	4241135 .....	23, 69



# Shoppertron Parts Manual

Part Number	Page	Part Number	Page
4241160 .....	53	4302050 .....	43
4241162 .....	61	4302055 .....	41
4241165 .....	13	4302069 .....	25
4241235 .....	35	4302075 .....	17
4241264 .....	59	4302076 .....	17
4242145 .....	47	4302077 .....	17
4245186 .....	63	4302078 .....	13
4252029 .....	31	4302079 .....	13
4255026 .....	33	4302081 .....	17
4301038 .....	49	4302082 .....	17
4301039 .....	49	4302085 .....	27
4301041 .....	49	4302086 .....	25, 27
4301045 .....	49	4302088 .....	41
4301049 .....	55	4302089 .....	13
4301143 .....	55	4302090 .....	41
4301151 .....	53	4302093 .....	25
4301204 .....	51	4302094 .....	17
4301205 .....	51	4302095 .....	19
4301206 .....	51	4302097 .....	19
4301216 .....	55	4302098 .....	19
4301221 .....	59	4302099 .....	19
4301230 .....	53	4302105 .....	29
4301235 .....	53	4302106 .....	29
4301254 .....	53	4302109 .....	5
4301351 .....	51	4302113 .....	29
4301353 .....	59	4302115 .....	6
4301364 .....	63	4302117 .....	29
4301368 .....	45, 51	4302118 .....	29
4301375 .....	61, 63	4302119 .....	13
4301380 .....	61	4302120 .....	5
4301394 .....	51	4302121 .....	6
4301395 .....	51	4302122 .....	5
4301396 .....	51	4302124 .....	6
4301403 .....	51	4302129 .....	13
4301511 .....	11	4302134 .....	13
4301512 .....	11	4302136 .....	13, 17
4301525 .....	61	4302139 .....	5
4302022 .....	19	4302142 .....	5
4302025 .....	13	4302143 .....	29
4302027 .....	17	4302144 .....	19
4302028 .....	17	4302145 .....	29
4302029 .....	17	4302150 .....	19
4302030 .....	17	4302151 .....	19
4302032 .....	41	4302152 .....	19
4302034 .....	13	4302163 .....	19
4302035 .....	17	4302179 .....	19
4302036 .....	19	4302180 .....	19
4302037 .....	45	4302181 .....	15
4302039x .....	41	4302186x .....	15, 27
4302040 .....	43	4302187x .....	15, 25
4302049 .....	41	4302189 .....	17



# Shoppertron Parts Manual

Part Number	Page	Part Number	Page
4302191	19	4302398x	15, 25
4302192	19	4302407	29
4302198	13	4302408	19
4302199	17	4302412	25
4302200	5	4302414	5
4302213	17	4302415	7
4302219	13	4302556	21
4302222	29	4302646	25
4302223	31	4302647	25
4302224	31	4304231	65
4302236	13	4305010	8
4302237	19	4305011	33
4302245	25	4305016	33
4302263	7	4305019	33
4302269	29	4305026	35
4302272	6	4305027	33
4302274	6	4305031	33
4302275	13	4305034	33
4302276	27	4305043	69
4302277	27	4305050	35
4302280	6	4305052	8
4302281	6	4305062	35
4302282	6	4305069	39
4302283	7	4305071	39
4302284	7	4305074	8
4302285	7	4305077	39
4302286	7	4305084	8
4302287	7	4305100	8
4302288	7	4305101	8
4302289	7	4305112	8
4302290	7	4305113	8
4302315	31	4305131	33
4302316	31	4305138	8
4302318	31	4305140	8
4302319	31	4305141	8
4302320	31	4305142	8
4302324	31	4305144	8
4302329	31	4305145	8
4302332	31	4306011	13
4302338	31	4307009	57
4302339	31	4307015	59
4302345	31	4307017	59
4302348	31	4307018	59
4302350	31	4307024	59
4302354	31	4307026	57
4302360	31	4307027	57
4302372	29	4307028	57
4302373	7	4307029	59
4302393x	15, 27	4307032	59
4302394	27	4307034	57
4302396	25, 27	4307035	57

# Shoppertron Parts Manual



Part Number	Page	Part Number	Page
4307036	57	4312033	9
4307038	59	4312038	9
4307045	59	4312048	9
4307046	57	4312049	9
4311002	53, 55	4312055	15
4311005	51	4312063	19
4311021	53	4312064	17
4311022	53	4312065	23
4311023	53	4314000	49
4311042	53	4314014	65
4311052	53	4314017	65
4311053	53	4314020	65
4311054	55, 59	4314046	65
4311055	59	4314061	65
4311058	53	4314062	65
4311068	49	4315001	39
4311071	11	4315003	39
4311074	63	4315007	41
4311075	63	4315018	33
4311076	63	4315020	33, 39
4311077	63	4315022	8
4311078	63	4316006	41
4311079	63	4316009	23, 69
4311080	63	4317001	49
4311081	63	4317002	59
4311082	63	4317003	59
4311095	15, 23	4317004	55, 59
4311096	45	4317005	59
4311114	63	4317006	59
4311124	61	4317007	59
4311125	51, 61	4317008	49
4311129	61	4319002	69
4311130	55	4319004	69, 75
4311156	53	4319005	69, 73
4311157	53	4319007	75
4311161	53, 55	4319008	23, 69
4311162	53	4319009	69, 71, 75
4311163	59	4319010	69
4311164	49	4319011	69, 73
4311168	67	4319012	61
4311171	49, 67	4319014	69, 71
4312001	15, 17	4741018	73
4312006	45	4751060	23, 69, 73
4312009	15	5201091	31
4312010	15, 21	5201267	31
4312011	21	5264629	45
4312015	21	5277437	59
4312016	21	6104216	63
4312017	23, 69	6104411	63
4312025	19	6106341	61
4312028	9	6111041	41



# Shoppertron Parts Manual

<b>Part Number</b>	<b>Page</b>	<b>Part Number</b>	<b>Page</b>
6112042 .....	31, 63	9900164 .....	63
6138181 .....	43, 63	9900171 .....	31
6231035 .....	23, 69	9900184 .....	59
6232099 .....	3	9900203 .....	33
6232224 .....	7	9900207 .....	43
6232309 .....	7	9900425 .....	33
6335002x .....	39	9900437 .....	51
6339017 .....	39, 75	9983778 .....	23, 69
9900019 .....	25	9984165 .....	67
9900032 .....	63	9984629 .....	67
9900039 .....	19	9988210 .....	23, 69
9900078 .....	63	9989042 .....	67
9900081 .....	13, 25, 29, 67	9989100 .....	67
9900090 .....	31	9989336 .....	67
9900098 .....	11, 31	9989369 .....	67
9900106 .....	27, 55, 63	9989637 .....	69
9900107 .....	63	9989649 .....	19
9900118 .....	61	9989659 .....	23, 69
9900122 .....	31	9989673 .....	67
9900140 .....	31	9989685 .....	39
9900146 .....	31	9992400 .....	37
9900157 .....	31	9994000 .....	37